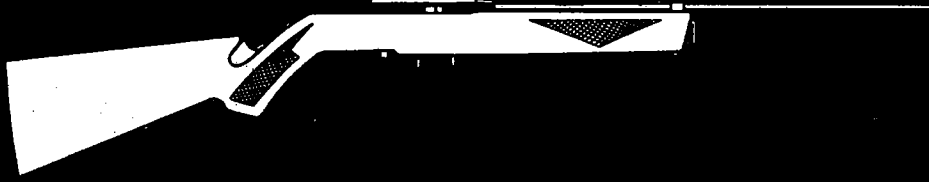




**Model 1077 RepeatAir® CO<sub>2</sub> Pellet Rifle  
OWNER'S MANUAL**



**READ ALL INSTRUCTIONS AND WARNINGS IN  
THIS MANUAL BEFORE USING THIS AIRGUN**

**CONGRATULATIONS:**

And thank you for choosing Crosman AirGuns Model 1077 RepeatAir® air rifle.

The RepeatAir® includes many up-to-date features which will mean easier handling, greater accuracy and more enjoyment for you.

- Convenience of CO<sub>2</sub> power.
- Rifled steel barrel for accuracy.
- 12-shot pellet clip.

To get the most enjoyment from your new air rifle, please read this Owner's Manual completely. And remember, the Model 1077 air rifle is not a toy. Treat it with the same respect you would a firearm. Always carefully follow the safety instructions found in this Owner's Manual and keep this manual in a safe place for future use.

If you have any questions concerning your new air rifle, please feel free to contact us.

Sincerely,

Crosman Corporation  
Routes 5 & 20, East Bloomfield, NY 14443 U.S.A.

**⚠ WARNING:** NOT A TOY. ADULT SUPERVISION REQUIRED. MISUSE OR CARELESS USE MAY CAUSE SERIOUS INJURY OR DEATH. MAY BE DANGEROUS UP TO 475 YARDS (435 METERS).

READ ALL INSTRUCTIONS BEFORE USING.

BUYER AND USER HAVE THE DUTY TO OBEY ALL LAWS ABOUT THE USE AND OWNERSHIP OF THIS AIRGUN.

**THIS AIRGUN IS INTENDED FOR USE BY THOSE 16 YEARS OF AGE OR OLDER.**

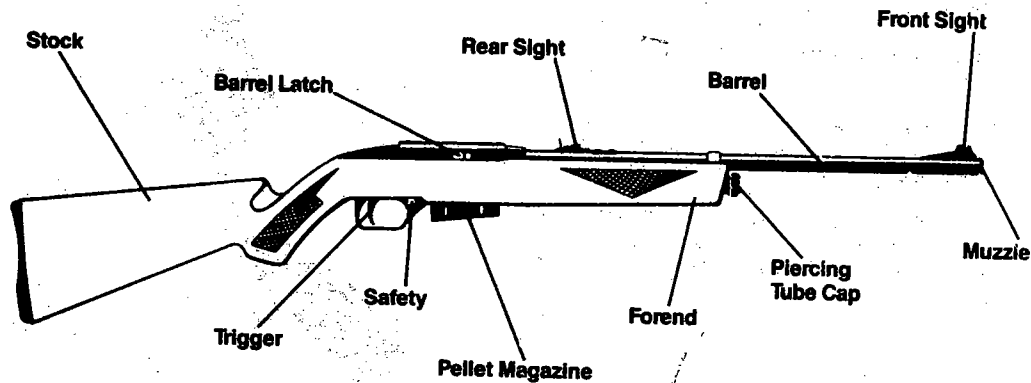
2

### Steps for safe shooting

	<u>Page</u>
Step 1. Learning the Parts of Your New Air Rifle .....	4
Step 2. Operating the Safety .....	5
Step 3. Removing and Installing CO <sub>2</sub> Cylinders .....	6
Step 4. Loading and Unloading Pellets .....	8
Step 5. Aiming and Firing Safely .....	10
Step 6. Removing a Jammed Pellet .....	12
Step 7. Maintaining Your Air Rifle .....	13
Step 8. Reviewing Safety .....	15
Step 9. Using and Enjoying Your Air Rifle .....	16

## Step 1. Learning the Parts of Your New Air Rifle

Learning the names of the parts of your new air rifle will help you to understand your Owner's Manual. Use this manual to increase your airgun enjoyment.



### Model 1077 RepeatAir®

4

## Step 2. Operating the Safety

- To put the air rifle "On Safe," locate the safety directly in front of the trigger. Push the safety from the left side all the way in. (Fig. 1). The safety is not on unless it is pushed all the way in and the orange line around the safety is not showing. The air rifle will not fire when "On Safe."
- Even when the safety is "On Safe" you should continue to handle the air rifle safely. Don't point the gun at anything you don't intend to shoot.
- To take the air rifle "Off Safe," push the safety from the right side all the way in. When you can see the orange line around the safety, the rifle is "Off Safe" and will fire.

**⚠ WARNING: KEEP THE AIR RIFLE "ON SAFE" UNTIL YOU ARE ACTUALLY READY TO SHOOT. THEN PUSH IT TO "OFF SAFE."**

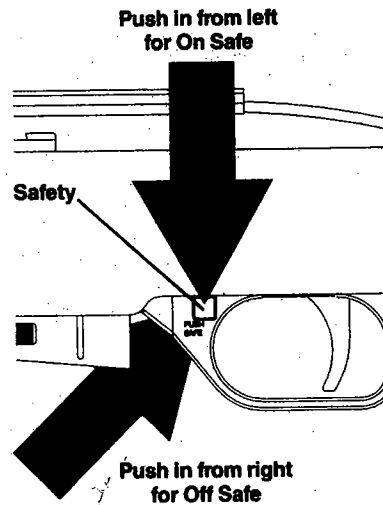


Fig. 1

### Step 3. Removing and Installing CO<sub>2</sub> Cylinders

**⚠ CAUTION: KEEP HANDS AWAY FROM ESCAPING CO<sub>2</sub> GAS. IT CAN CAUSE FROSTBITE IF ALLOWED TO COME IN CONTACT WITH SKIN.**

#### A. Removing CO<sub>2</sub> Cylinder

- Put rifle "On Safe." (See Step 2)
- Holding the rifle by the forend, slowly turn the piercing tube cap allowing the release of the remaining CO<sub>2</sub> before removing the cap. (Fig. 2)
- After removing the cap, point the rifle down and the used CO<sub>2</sub> Cartridge will drop out.

#### B. Installing New CO<sub>2</sub> Cylinder

- Insert the new CO<sub>2</sub> Cylinder into the rifle with the small neck of the cylinder pointing toward the rear of the gun. (Fig. 3)
- Screw the piercing tube cap firmly into place by turning it clockwise with your fingers or with a coin placed in the slot in the piercing tube cap.
- Point the rifle in a SAFE DIRECTION, take "Off Safe," and pull the trigger. If the rifle does not fire, tighten the piercing cap a little more and try to

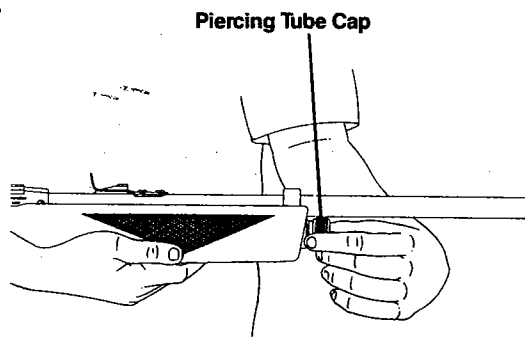


Fig. 2

6

fire again. Do not overtighten the piercing tube cap or use a tool on this cap. This can damage your rifle.

- Return safety to "On Safe" position.

**NOTE:** We recommend the use of Crosman Copperhead® CO<sub>2</sub> Powerlets®. They are made to fit the RepeatAir®. Other brands of CO<sub>2</sub> Cylinders may not fit properly and if you force them into place it may result in injury to you or damage to your rifle. Never try to force any CO<sub>2</sub> Cylinder into or out of place.

**⚠ WARNING: CO<sub>2</sub> CYLINDERS MAY EXPLODE AT TEMPERATURES ABOVE 120°F. DO NOT MUTILATE OR INCINERATE THEM. DO NOT EXPOSE THEM TO HEAT OR STORE THEM AT TEMPERATURES ABOVE 120°F.**

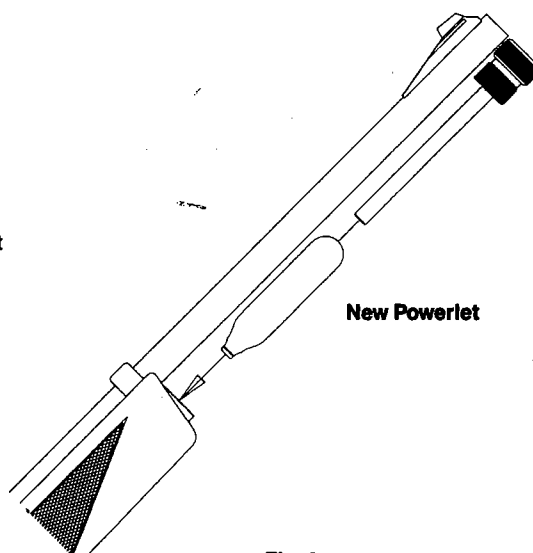


Fig. 3

7

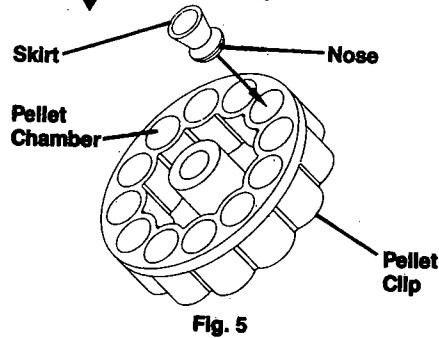
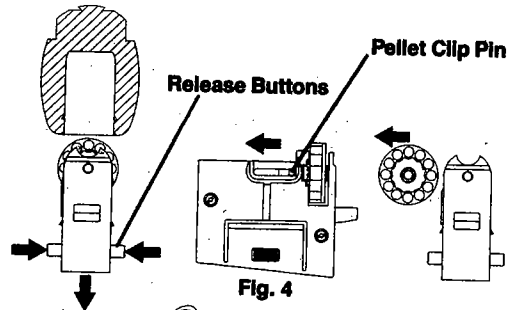
## Step 4. Loading and Unloading the Air Rifle

### A. Loading the Air Rifle

- Put the air rifle "On Safe." (See Step 2)
- Remove the pellet magazine from the rifle by pushing together on the release buttons on either side of the magazine and pull downward.
- Slide the pellet clip pin forward and remove the pellet clip from the side of the pellet magazine. (Fig. 4)
- Place a .177 pellet, nose first, in each pellet chamber of the pellet clip. (Fig. 5) to avoid jams or deforming pellets, make sure each pellet skirt is level or slightly below the rim of the pellet chamber.
- Replace the pellet clip in the pellet magazine, slide the pellet clip pin rearward until it snaps into position and insert the pellet magazine into the bottom of the rifle.

### B. Unloading the Air Rifle

- Put the rifle "On Safe." (See Step 2)
- Remove the CO<sub>2</sub> Cylinder. (See Step 3A)
- Remove the pellet magazine. (See Step 4A)



8

- Remove the pellet clip. Using a ramrod or similar tool, gently push each pellet out of the pellet chamber.

**NOTE:** Never use sharp metal tools to remove pellets.

- To be sure the air rifle is completely unloaded, insert a rod or straightened clothes hanger into the barrel and carefully push the rod or hanger through the barrel. (Fig. 6)

**⚠ CAUTION: USE .177 CALIBER PELLETS ONLY. NEVER REUSE PELLETS. USE OF ANY OTHER AMMUNITION CAN CAUSE INJURY TO YOU OR DAMAGE TO THE AIR RIFLE.**

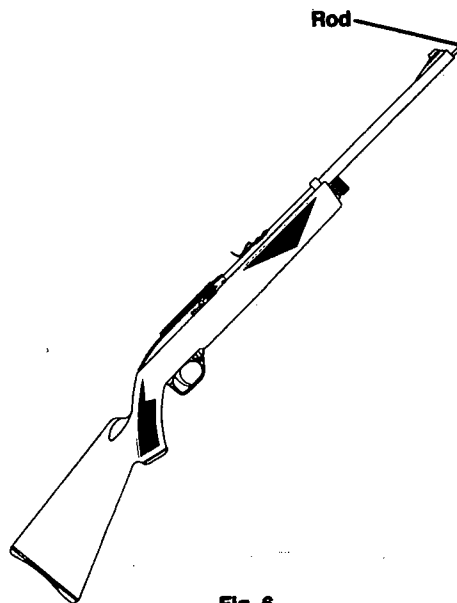


Fig. 6

## Step 5. Aiming and Firing Safely

### A. Aiming the Air Rifle

- Always aim your air rifle in a **SAFE DIRECTION**. When you are sure of your target and backstop, and the area around the target is clear, take the rifle "Off Safe" (See Step 2) and squeeze the trigger to fire.
- Don't shoot at hard surfaces or at the surface of water. The pellet may bounce off and hit someone or something you had not intended to hit.
- The air rifle is correctly aimed when the front sight blade is positioned exactly in the notch of the rear sight. The top of the front sight blade should be even with the top of the notch in the rear sight. The bull's eye should appear to rest on the top of the front sight. (Fig. 7)

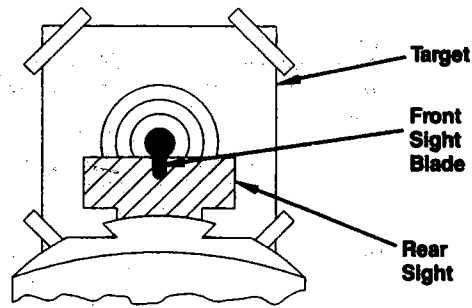


Fig. 7

10

### B. Sight Adjustment

- The rear sight may be adjusted to shoot higher or lower (elevation). Move the rear sight elevator back to make the pellet hit higher on the target. Move the rear sight elevator forward to make the pellet hit lower on the target. When moving the elevator, slightly lift the rear sight and reset it on the desired notch in the elevator. (Fig. 8)
- The rear sight may also be adjusted to shoot right or left (windage). Loosen the windage adjustment screws by turning counterclockwise. Move the sight to the right to make the pellet hit to the right on the target. Move the sight to the left to make the pellet hit to the left on the target. Then tighten the windage adjustment screws by turning them clockwise. (Fig. 9)

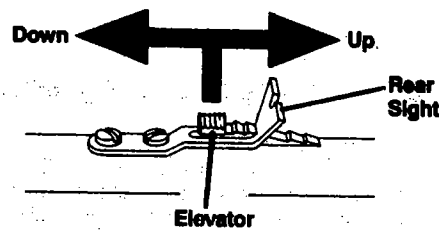


Fig. 8

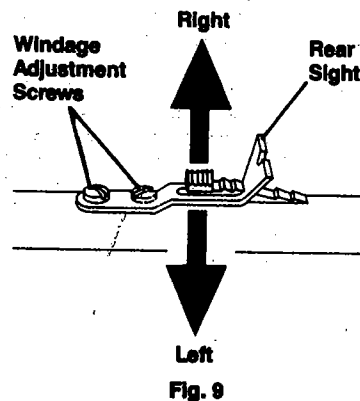


Fig. 9

## Step 6. Removing a Jammed Pellet

- Put the air rifle "On Safe." (See Step 2)
- Remove the CO<sub>2</sub> Cylinder from the rifle. (See Step 3)
- Press downward and forward on the barrel latch tabs. (Fig. 10)
- Remove the pellet magazine. (See Step 4A)
- Remove the pellet clip and remove any jammed pellets from the pellet clip. (See Step 4B)
- Insert a rod or straightened clothes hanger into the barrel and carefully push the jammed pellet into and out of the pellet magazine area of the rifle. Don't try to reuse any jammed pellets. (Fig. 10)
- If for some reason you are unable to unjam your air rifle, take or send it to your nearest Crosman Authorized Service Center. (A list of service centers is in the box with the air rifle.)

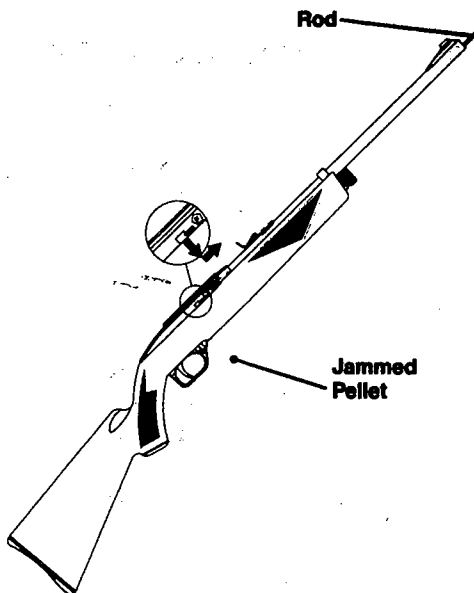


Fig. 10

12

## Step 7. Maintaining Your Air Rifle

Trouble Shooting Guide	PROBLEMS	REASONS								
		Safety in On position	CO <sub>2</sub> Cylinder low or empty	Barrel plugged	CO <sub>2</sub> Cylinder not fully pierced	Extreme high or low temperatures	Defective or improper ammunition	Pellet loaded backwards	Gun fired beyond recommended number of shots	Sight not adjusted
	INACCURACY		●		●	●	●		●	●
	GUN FAILS TO SHOOT	●	●	●	●		●	●	●	
	LOW POWER		●		●	●	●		●	
	BARREL PLUGGED		●		●	●			●	
	GUN LEAKS				●					

- Your air rifle will work best if you oil it every 750 shots. Put 2 or 3 drops of Crosman Pellgunoil® (Available for order through the Crosman Accessories Catalog) on the threads of the piercing tube cap. A drop of oil on the end of every 25th CO<sub>2</sub> Cylinder will lubricate the piercing assembly. (Fig. 11)
- A little oil on the barrel helps prevent rust. Pellgunoil® is best, but any light household oil is better than none. Don't over-oil. This can cause damage to your air rifle. (Fig. 11)
- Tampering with the gun or attempts to change the gun in any way may make it unsafe to use. If you drop your gun, check to see that it works properly before you use it again. If anything seems changed, like a shorter or weaker trigger pull, this may mean worn out or broken parts. Don't use it again until you've had it checked by an Authorized Service Station. (A list of service stations is in the box with the air rifle.)

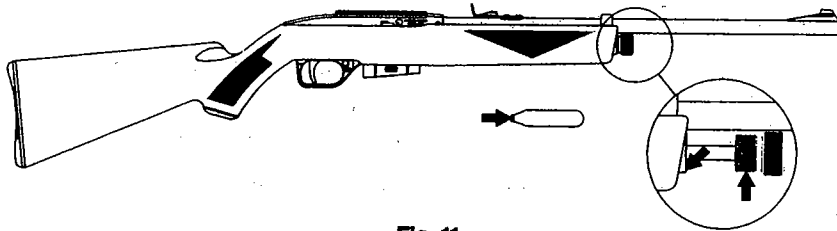


Fig. 11

14

## Step 8. Reviewing Safety

- Always treat your air rifle as though it were loaded. Don't point at anything you don't intend to shoot. Always aim in a SAFE DIRECTION.
- Always keep the air rifle "On Safe" until you are ready to shoot in a SAFE DIRECTION.
- Always wear shooting glasses to protect your eyes.
- Keep hands away from escaping CO<sub>2</sub> gas. It can cause frostbite if allowed to come in contact with skin.
- Stop using a backstop if it becomes worn. Place backstop in a location that will be safe should the backstop fail.
- Never reuse ammunition. Use .177 caliber pellets only.
- Don't shoot at hard surfaces such as metal or water. The pellet may bounce off or ricochet and hit someone or something you had not intended to hit.
- Do not attempt to disassemble or tamper with your gun. Use a competent repairman.
- Always check to see if the air rifle is "On Safe" and unloaded when getting it from another person or from storage.
- Don't put the rifle away loaded. Make sure all of the pellets are unloaded. (Step 4B)



## Step 9. Using and Enjoying Your Air Rifle

Now that you have studied your Owner's Manual and understand how to use your air rifle properly, you are ready to begin your shooting enjoyment. Follow these shooting tips for fun and safe shooting.

### Choosing Targets

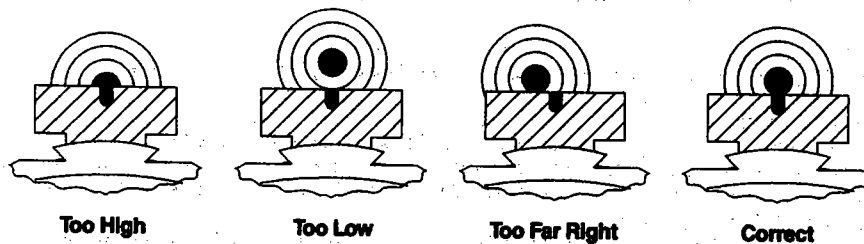
- Always choose your targets carefully. It is best to shoot at paper bull's eye targets which are attached to a safe backstop such as the Crosman Target Trap. A heavy blanket should be hung behind the target trap to prevent ricochet or pellets bouncing off should you miss the backstop. It is also best to wear shooting glasses to protect your eyes.
- Don't shoot at hard surfaces or at the surface of water. The pellet may bounce off and hit someone or something you had not intended to hit.
- Your backstop should be checked for wear before and after each use. Stop using any backstop if the surface is worn or damaged or if the pellet bounces off or ricochets.
- Your airgun is designed for target shooting and is suited for both indoor and outdoor use. Always remember to place your target carefully. **THINK** what you will hit if you miss the target!

### Shooting

- We talked earlier about aiming your air rifle and sight adjustment (Step 5). The next step is putting the sights together with the target. This is known as sight picture.
- A correct sight picture has the bull's eye directly centered on top of the front sight with both sights correctly aligned. (Fig. 12)

16

Fig. 12



- Now with the sights and target in the proper position, you are ready to squeeze the trigger to fire.
- A trigger must be squeezed smoothly to keep the sights aligned and on the target as you fire the airgun.

### Competitive Enjoyment

Competing with friends and holding informal shooting matches can make airgun ownership more fun and exciting. Crosman accessory targets will help make your neighborhood matches the most popular around.

**REMEMBER...**shooters are made, not born. Know the basics of safe shooting.

## Specifications

Mechanism: . . . . . 12 Shot Double Action  
Caliber . . . . . .177  
Ammunition . . . . . .177 cal. (4.5 mm)  
                  Lead Airgun Pellet ■  
Weight: . . . . . 3 lbs. 11 oz. (1.68 kg.)  
Length: . . . . . 36 $\frac{7}{8}$ " (93.7 cm)  
Sights: Rear: . . . . . Adjustable for Windage and Elevation  
          Front: . . . . . Fixed Blade  
Barrel: . . . . . 20 $\frac{3}{8}$ " (51.8 cm) Rifled Steel  
Power Source: . . . . . 12 Gram. CO<sub>2</sub> Powerlet®  
                  (Small Neck type)  
Safety: . . . . . Cross Bolt

## Repair Service

If your airgun needs repair, we recommend you send it to the nearest Crosman Authorized Service Station Center, (A list of service centers is in the box with the airgun). Your airgun requires special tools and fixtures to repair it. If you take it apart, you probably will not be able to reassemble it correctly. Crosman assumes no warranty responsibility in this case.

## A Special Customer Service

Crosman Authorized Service Stations will unjam your air rifle at no cost during the warranty period.

Projectile	Weight:	Maximum Muzzle Velocity:	Average Shots/CO <sub>2</sub> Powerlet®
.177 Pellet	7.9 gr.	625 FPS	48 shots**

• Initial velocity listed may exceed average velocity up to 15%. Many factors affect velocity, including, brand of projectile, type of projectile, amount of CO<sub>2</sub> in cartridge, oiling of the gun, barrel condition, temperature and elevation.

\*\*Shooting more than 48 pellets per CO<sub>2</sub> Cartridge may result in unsatisfactory accuracy due to lower velocities.

**NOTE:** Operating rifle at below 70° F will decrease the number of effective shots. The reverse is true for operating above 70° F.

18

## LIMITED ONE YEAR WARRANTY

This product is warranted to the retail consumer for one year from date of retail purchase against defects in material and workmanship and is transferable. To register the serial number of your gun, please return the Airgun registration form. The warranty is not conditioned on the return of the card.

### WHAT IS COVERED

Replacement parts and labor. Transportation charges to consumer for repaired product.

### WHAT IS NOT COVERED

Transportation charges to Crosman for defective product. Damages caused by abuse or failure to perform normal maintenance — see Owner's Manual. Sales outside of the United States. Any other expense.

**CONSEQUENTIAL DAMAGES, OR INCIDENTAL EXPENSES, INCLUDING DAMAGE TO PROPERTY. SOME STATES DO NOT ALLOW THE EXCLUSION OR LIMITATION OF INCIDENTAL OR CONSEQUENTIAL DAMAGES, SO THE ABOVE LIMITATION OR EXCLUSION MAY NOT APPLY TO YOU.**

### HOW TO OBTAIN WARRANTY PERFORMANCE

Locate nearest Crosman Service Center on list with Product or in a phone book. Attach to Product your name, address, description of problem, phone number and proof of date of retail purchase (sales slip). Package and return Product to Crosman Service Center, transportation charges prepaid.

### IMPLIED WARRANTIES

**ANY IMPLIED WARRANTIES, INCLUDING THE IMPLIED WARRANTIES OF MERCHANTABILITY AND FITNESS FOR A PARTICULAR PURPOSE, ARE LIMITED IN DURATION TO ONE YEAR FROM DATE OF RETAIL PURCHASE. SOME STATES DO NOT ALLOW LIMITATIONS ON HOW LONG AN IMPLIED WARRANTY LASTS, SO THE ABOVE LIMITATIONS MAY NOT APPLY TO YOU.**

To the extent any provision of this warranty is prohibited by federal, state, or municipal law which cannot be preempted, it shall not be applicable. This warranty gives you specific legal rights, and you may also have other rights which vary from state to state.