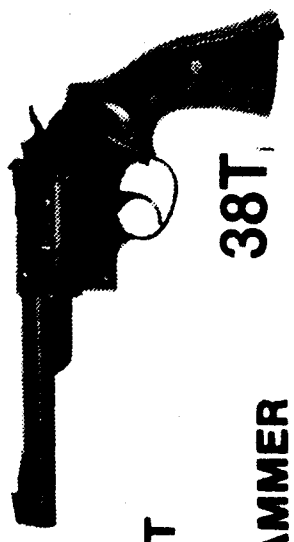




# OWNER'S MANUAL

- Model 38T Target
- CO2 .177 Cal. Pellet Pistol
- Model 38C Combat
- CO2 .177 Cal. Pellet Pistol



PELL VIEWING PORT

FRONT SIGHT

PELL LOADER

REAR SIGHT

BARREL HOUSING

HAMMER

38T

CYLINDER

TRIGGER

HAND GRIP

SERIAL NO.



**CAUTION:** THIS AIR GUN IS NOT A TOY AND MAY CAUSE DEATH OR SERIOUS INJURY, PARTICULARLY TO THE EYE, IF MISUSED OR USED CARELESSLY. READ ALL INSTRUCTIONS BEFORE USING. THIS AIR GUN REQUIRES ADULT SUPERVISION IF THE USER IS

UNDER 16 YEARS OLD AND SHOULD NOT BE USED BY ANYONE UNDER 8 YEARS OF AGE. PURCHASER AND USER HAVE THE RESPONSIBILITY TO CONFORM TO ALL LAWS CONCERNING THE USE AND OWNERSHIP OF THIS AIR GUN.

**BE CAREFUL-BE A SAFESHOOTER**

#### SPECIFICATIONS

Mechanism: Double and single action  
Caliber: .177 Pellet  
Ammunition: .177 cal. Crosman Super Pellets®  
Cylinder Capacity: 6 Pellets  
Weight: 38T 2 lbs. 12 oz. (1.3 kg)  
38C 2 lbs. 6 oz. (1.1 kg)  
Overall Length: 38T 11¼ in. (298mm)  
38C 9¼ in. (241mm)  
Sights: Rear Fully adjustable for elevation and windage  
Front Ramp type  
Barrel: 38T 6 in. (152mm)  
38C 3¾ in. (95mm) Steel tubes, button rifled, 10 lands, right-hand twist, one turn in 16 in.  
Power Source: One Crosman 12 gr. CO2 Powerlet®

#### PERFORMANCE

(Average)  
Muzzle Velocity: Above  
38C 300 f.p.s. .177 Pellet 8.2 gr.  
38T 350 f.p.s. .177 Pellet 8.2 gr.  
Maximum Range 300 yds.  
Average 54 Shots per CO<sub>2</sub> Powerlet at 70° F

**NOTE:** Operating gun at below 70° F will decrease the number of effective shots, the reverse is true for gun operation above 70° F.

## HOW TO OPERATE

**IMPORTANT:** Steps for safe and satisfactory operation.

- Step 1 Remove factory installed CO2 Powerlet
- Step 2 Load and pierce CO2 Powerlet
- Step 3 Load Pellets (.177 Caliber)
- Step 4 Aim and Fire

## Step 1 REMOVE THE FACTORY INSTALLED CO2 POWERLET

Your new gun has an empty CO2 Powerlet in it which must be removed. It was used to test the gun at the factory.

While firmly holding Grip loosen Powerlet Piercing Screw all the way. Remove Hand Grip with Powerlet attached. (Fig. 1).

BE CAREFUL-BE A SAFESHOOTER

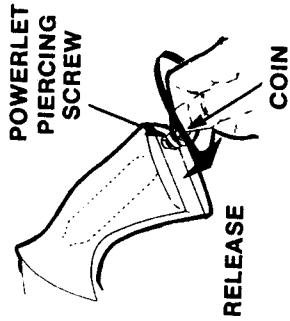
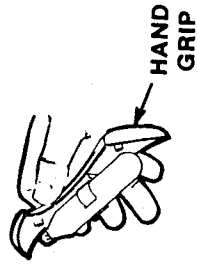


Fig. 1.

**CAUTION:** Do not allow exhausted CO2 gas to come in contact with the skin as exhausted CO2 gas can cause frostbite.

BE CAREFUL-BE A SAFESHOOTER

**Step 2 HOW TO LOAD AND PIERCE  
CO2 POWERLET**

- A. Place new Powerlet, with small neck into Piercing Assembly (Fig. 2).
- B. Replace Grip Cover, hold firmly in place.
- C. With a coin (quarter) turn the Piercing Screw in a clockwise direction until tight. This action pierces the Powerlet.
- D. Cock Hammer and fire, if gun fails to fire, Powerlet has not been pierced. Remove Powerlet see (Step 1). Inspect the neck end of Powerlet for small hole. If end of neck is not fully pierced, replace Powerlet and follow the above Steps-B,C,D.

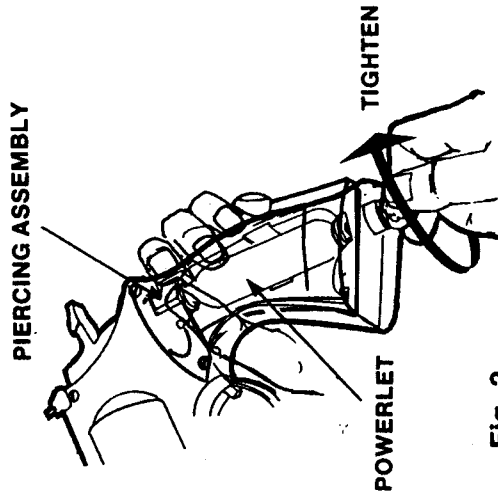


Fig. 2.

**Step 3 HOW TO LOAD PELLETS**

With the revolver pointed in a Safe Direction, slide the Pell Loader back toward the Hammer and hold it in this position. Drop a Crosman SUPER PELL, nose toward the muzzle, into the Loading Port. Slide the Pell Loader forward to seat the Pell properly in the Cylinder Chamber. Rotate Cylinder to next empty chamber, repeat the procedure until all the chambers are loaded. (Fig. 3).

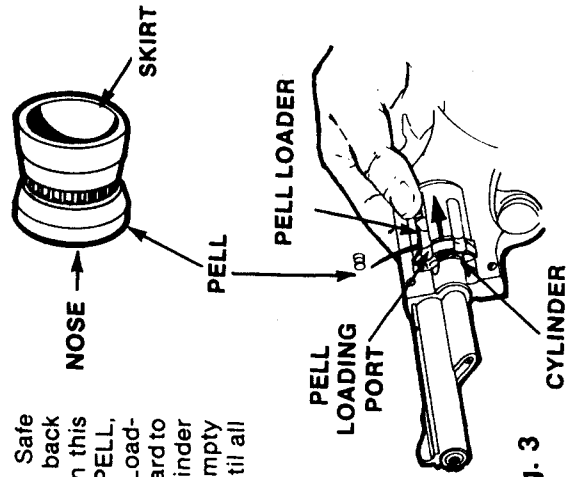


Fig. 3

**BE CAREFUL-BE A SAFESHOOTER**

#### Step 4 HOW TO AIM AND FIRE

Point the Revolver in a SAFE DIRECTION and when you are sure of your Target and Backstop, take aim and squeeze the Trigger to fire.

- A. For single action shooting, pull back the Hammer with the thumb to the fully rearward position. This cocks the Revolver ready to fire.
- B. For double action shooting, take aim and squeeze the Trigger to fire.

**NOTE:** If Pellet does not leave gun or Cylinder will not rotate your gun is jammed.

Reasons for a jammed pistol

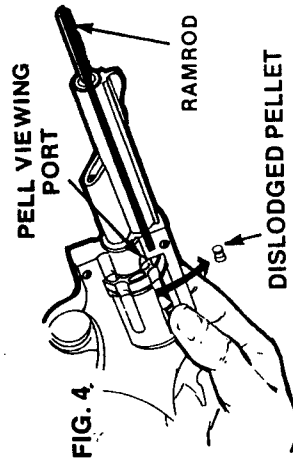
- A. Low on CO<sub>2</sub> gas.
- B. Shooting more than 54 shots below 70° F temperature.
- C. Defective ammunition.

**BE CAREFUL-BE A SAFESHOOTER**

#### How to remove a jammed pellet

If Cylinder still rotates, remove all remaining Pellets from revolver by:

- A. Point muzzle up in SAFE DIRECTION and hold Pel Loader back. Revolve the Cylinder to align each chamber with the Loading Port, and firmly tap the Revolver to eject the pellets from each Chamber. (Fig. 4)
- B. Insert a small diameter tool into the Pellet Viewing Port and push the Pellet out into the Loading Port. A small



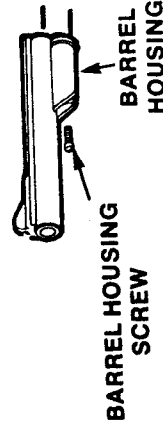
- D. Reassemble the Barrel to the Revolver Frame and secure with the Barrel Set Screw using a Shimstock or Feeler gauge to assure a clearance of .004" (0.1 mm) between the Cylinder and the Barrel. (Fig. 5).

- E. Now replace Barrel Housing and tighten.

nail, paper clip, or hairpin may be suitable tools for this operation. After removing all Pellets, re-cock and fire several times to remove jammed Pellet from barrel.

**NOTE:** If Pellet is still jammed or Cylinder will not rotate do the following:

- A. Release and remove the Barrel Set Screw and the Barrel Housing Screw.
- B. Withdraw the Barrel Housing and Barrel from the Revolver Frame.
- C. Insert the ramrod provided with your Revolver and push out the obstruction.



**IMPORTANT:** If unable to unjam gun see REPAIR SERVICE section of this manual.

**BE CAREFUL-BE A SAFESHOOTER**

### How to Sight Pistol

The Revolver is correctly aimed when the blade of the Front Sight is positioned exactly in the notch of the Rear Sight, and the top of the Front Sight is flush with the top of the Rear Sight. For target shooting, many marksmen prefer to sight-in at the bottom of the bull's eye (the 6 o'clock position). The sights will then appear black against the white of the target. The point of impact, however, will be the center of the bull's eye. (Fig. 6).

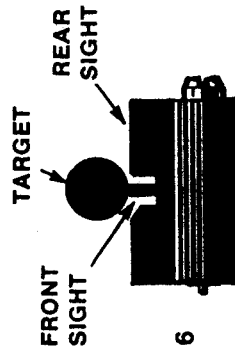


FIG. 6

The Rear Sight may be adjusted for elevation, and if necessary windage. (Fig. 7).

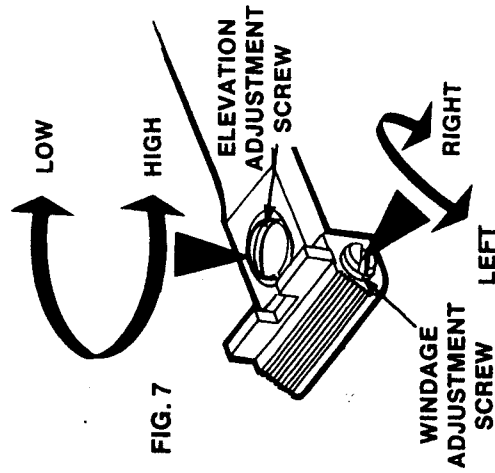


FIG. 7

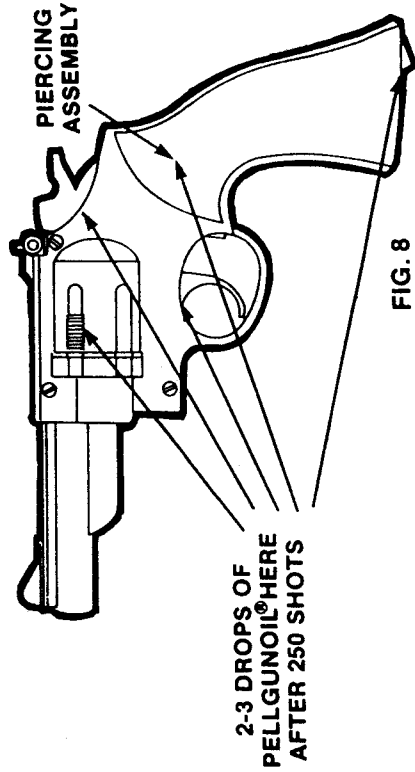


FIG. 8

### LUBRICATION

Follow these simple instructions to insure the long life of your gun. After every 250 shots apply 2 or 3 drops of Crosman PELLGUNOIL (Fig. 8). It is not necessary to clean the Barrel Bore, but the occasional application of a

little PELLGUNOIL is recommended to prevent the Barrel from rusting. Crosman PELLGUNOIL is recommended. Use only 2-3 drops. PELLGUNOIL is best, but any household oil is better than no oil at all. This is very important.

## CAUTION

You must do the following things to insure safe and satisfactory performance of your gun.

- DON'T** forget to treat every gun as if it were loaded. It might be.
- DON'T** point the revolver in an unsafe direction.
- DON'T** use your revolver without due respect for yourself or other people.
- DON'T** shoot at the target until you are sure of your backstop.
- DON'T** conduct yourself in an un-sportsmanlike manner when using your revolver.
- DON'T** store your revolver loaded.
- DON'T** shoot your revolver when the powerlet is low in gas pressure. It will jam your gun.
- DON'T** reuse ammunition that has already been fired. It will jam your gun.
- DON'T** attempt to clear a Pell jammed in the Barrel by shooting it out with another Pell.
- DON'T** use any ammunition other than Crosman SUPER PELLETS for the 38C/38T .177 caliber revolver.
- DON'T** expose charged revolver or POWERLETS to excessive heat (14p° F. It may explode).
- DON'T** alter or adjust any of the factory settings to your revolver, except the Rear Sight.

**BE CAREFUL-BE A SAFESHOOTER**

