

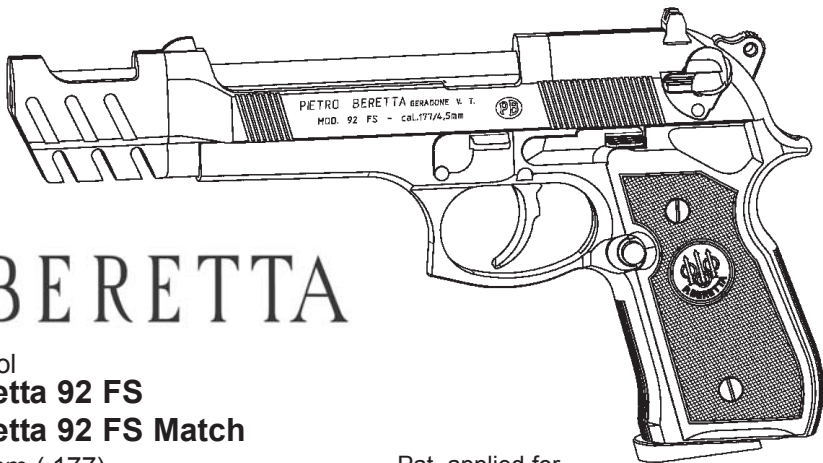
Safety and instruction manual

D

GB

F

E



 **BERETTA**

CO₂-Air-pistol

Mod. Beretta 92 FS

Mod. Beretta 92 FS Match

Caliber 4.5mm (.177)

Pat. applied for



You must be 18 years old to purchase this air pistol. Warning: Carefully read and follow these instructions before using this pistol. If there is anything you do not understand, get help from someone qualified in the safe handling of guns. It is your responsibility to follow the rules of safe use and ownership of this air pistol.



This symbol marks safety warnings in this instruction manual. When you see this symbol you should pay close attention to the warning.



Read the instruction manual carefully. Only load the pistol immediately before you intend to shoot. If you have charged the gun and will not shoot, discharge the pistol as described. Only an unloaded gun with the safety on is really safe. Accidents can happen very quickly! Warning: If this gun is carelessly or improperly handled, unintentional discharge could result causing injury, death or damage to property.

Please be very careful when shooting!

The chapter "Safe aiming and shooting" in this instruction manual will inform you about the rules for safe shooting. Read this chapter! Follow these rules and be sure that everybody handling this gun is familiar with the rules. Also read the chapter "Safe handling of guns" to avoid accidents.

Your air pistol should be treated with the same respect as a firearm. Always be aware that the most important safety aspect of a gun is the shooter. All safeties are mechanical and the shooter is responsible for its proper use. Do not rely on mechanical safeties, think in advance and avoid situations which may lead to an accident.

Every gun differs in function. You should never shoot a gun you are not familiar with. Read the following instruction manual and practice safety handling your gun prior to loading it.

See the following sections for information on safe shooting:

1. Refer to the parts illustration to become familiar with your new air pistol
2. Use of the safety
3. Installing and changing the CO₂ cartridge
4. Loading and unloading the air pistol
5. Safe aiming and shooting
6. Use and handling of CO₂ cartridges
7. Adjusting the rear sight
8. Storage
9. Maintenance
10. Problems
11. Modifications to the gun
12. Repair of Beretta air pistols
13. Warranty for Beretta air pistols
14. Safe handling of guns
15. Technical specifications
16. Parts illustration

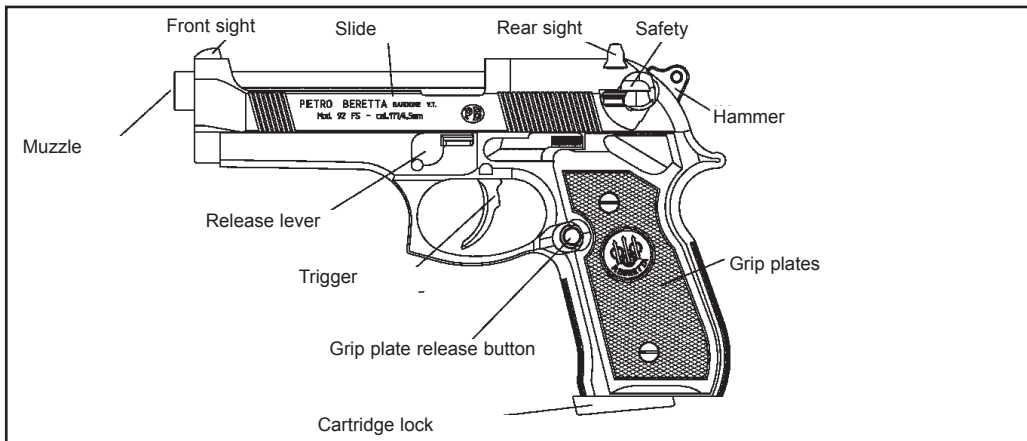


Never leave an unattended gun loaded and ready to fire!

Always keep and carry your pistol unloaded. Put the safety to the lower position and be sure that there is no pellet in the chamber. During storage, remove the pellet in the chamber. During storage, remove the pellet cylinder and CO₂ cartridge and store them in a separate location. Keep out of reach children and unauthorised persons.

1. Refer to the parts illustration to become familiar with your new air pistol

It is your responsibility to become familiar with the components parts of your pistol. You will understand this instruction manual properly with this knowledge.



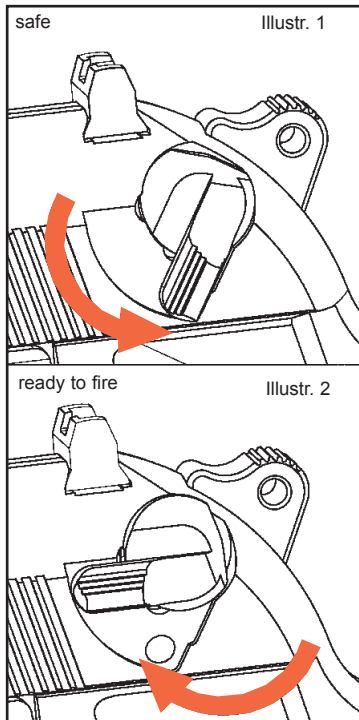
2. Use of the safety

- 2.1. To put the safety ON, decock the hammer, move the safety lever to the lower position covering the RED indicator as shown in illustration 1.
- 2.2. When handling this gun the safety should be ON and the muzzle pointed in a safe direction.
- 2.3. To take the safety OFF, move the safety lever to the horizontal position exposing the RED indicator as shown in illustration 2. The pistol is now ready to fire.



WARNING:

We recommend that the safety lever always be in the "SAFE" position until you intend to shoot.



3. Inserting and changing the CO₂ cartridge

3.1. Inserting a CO₂ cartridge



WARNING: Before inserting a CO₂ cartridge, insure that the safety is ON and the muzzle is pointed in a safe direction!

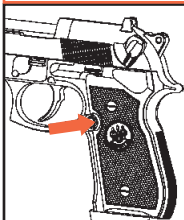
Note: Use only 12g CO₂ cartridges! Do not use cartridges containing other gases!

Press the grip release button on the left side of the trigger housing (Illustr. 3.1) to lift off the grip on the right-hand side (Illustr. 3.2). Open the cartridge pressure plate and unscrew the cartridge adjustment screw all the way (Illustr. 3.3). Insert a cartridge into the butt with the narrow end first (Illustr. 3.4). Then turn the cartridge screw until it is in contact with the cartridge (do not tighten it, as this could damage the cartridge seal). Now close the cartridge lock (Illustr. 3.5). The CO₂ cartridge is now pierced and sealed. Put the grip back on by positioning the lug on the grip in the hole in the butt frame and pressing the grip on.

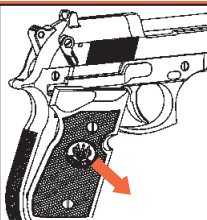
To make sure the cartridge has been properly pierced, check to make sure that the pistol is unloaded, disengage the safety and shoot in a safe direction. If the pistol will not fire repeat the cartridge loading procedure as described above.



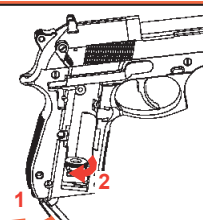
WARNING: Do not use force to insert the CO₂ cartridge. If you are not going to use the weapon for an extended period, we recommend removing the die CO₂ cylinder in order to prevent strain on the valve.



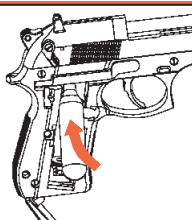
Illustr. 3.1



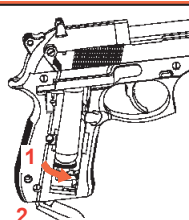
Illustr. 3.2



Illustr. 3.3



Illustr. 3.4



Illustr. 3.5

3.2 Remove the CO₂ cartridge

Decock the hammer, put the safety ON and point the gun in a safe direction. Swing the cartridge lock downward. Remove the grip plate (see illustr. 3.1) and loosen the cartridge retaining wheel (see illustr. 3.3). Remove the spent cartridge.



WARNING: Keep face and hands in a safe distance and use caution when removing the CO₂ cartridge, escaping CO₂ gas can cause frostbite.



WARNING! CO₂-cartridges can explode in temperatures above 122 degrees Fahrenheit. Do not dispose of cartridges in a fire. Do not store cartridges in temperature above 122 degrees Fahrenheit. Do not use spent CO₂ cartridges for any other purpose. Do not leave CO₂ cartridges in a automobile in direct sunlight.

4. Loading and unloading the pistol



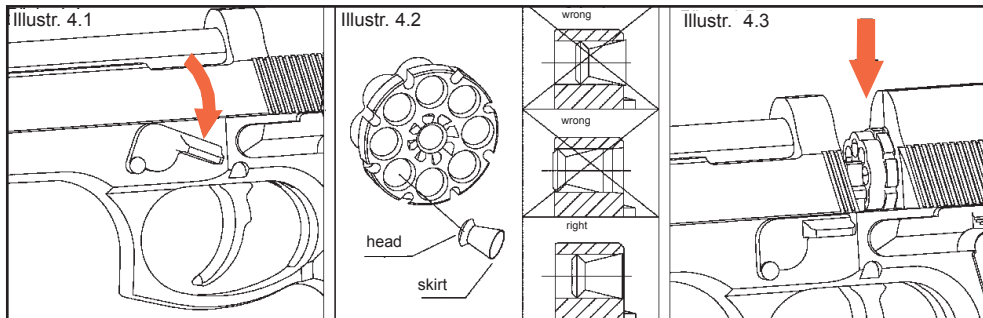
WARNING: Use only .177 caliber (4.5mm) Diabolo pellets with a maximum length of 6.5mm. Do not use BBs or other unsuitable pellets.

4.1 Loading the pistol

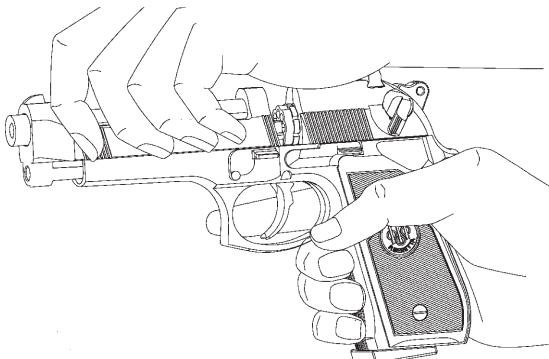
- Put the safety in the ON position covering the RED indicator (see chap.2 - Using the safety).
- Open the slide by pushing the release lever downward (see illustr. 4.1). Hold the pistol horizontally to keep the pellet cylinder in place and prevent it from falling out of the pistol.
- A safety prevents the trigger from being pulled when the weapon is open.
- Remove the pellet cylinder and load the Diabolo pellets head first (see illustration 11) insuring that each is completely inserted.
- In order to prevent malfunctions it is to be made sure that the pellets are seated flush in the chambers of the rotary magazine, or, even better, that they are seated somewhat countersunk in the chambers.
- Place the pellet cylinder back in the pistol (see illustr. 4.3), move the slide to the closed position and push the release lever upwards to the horizontal position to lock the slide closed.



WARNING: Do not put your hand over the muzzle! Do not put your finger on the trigger! Make sure that muzzle is pointed in a safe direction! Never aim at people or pets.



Illustr. 4.4



4.2 Unloading the pistol

- Decock the hammer.
- Put the safety on, covering the RED indicator.
- Open the slide by pushing the release lever downward (see illustration 4.1).
- Remove the pellet cylinder and carefully push the pellets out of the cylinder with the cleaning rod.



WARNING: Never use a metal object to remove the pellets.
Damage to cylinder or barrel impairs the function.

- Make sure that there is no pellet in the barrel.
- If there is a pellet in the barrel, push it out with the cleaning rod.
- Never shoot with a used pellet. It could damage cylinder and barrel.

5. Safe aiming and shooting



WARNING: Always point the muzzle of the gun in a safe direction. Never aim at people or pets. Always handle your pistol as if it is loaded and ready to fire.

Make sure the safety is ON, insert the CO₂ cartridge, and load the pistol as described.



WARNING: Be very careful where you aim this high efficiency pistol. Aim only at objects that cannot be penetrated. Never shoot at hard surfaces or water. A Diabolo pellet may ricochet and travel in another direction.

When you are certain that the target, backstop und surrounding area are safe, go through the proper steps to ready the weapon for firing. Only then should you shoot. Squeeze the trigger with steady pressure until the pistol fires.

Double Action/Single Action

The pistol will function in either double-action or single-action mode.

To fire in double action, apply steady pressure to the trigger until the pistol fires.

To fire in single action, first cock the hammer to active single-action mode, then apply steady pressure to the trigger until the pistol fires.

For rapid-fire shooting we recommend the double-action mode, for more precise aimed shooting we recommend the single-action mode.



WARNING: Do not assume that the pistol is unloaded if it fails to fire properly!

WARNING: Insufficient CO₂ pressure could cause a pellet to lodge in the barrel. See chapter 7, "Use and handling of CO₂ cartridges" for further instructions.

If a pellet fails to be shot after execution of the operation steps mentioned before this could be due to a feed jam.



A feed jam is dangerous.

- Put the safety ON covering the RED indicator.
- Open the slide and remove the pellet cylinder.
- Check that each pellet is properly inserted in the cylinder.
- Check the barrel with the cleaning rod to insure that no pellet is lodged in the barrel.
- Close and lock the slide without replacing the pellet cylinder.
- Aim in a safe direction, turn the safety OFF and shoot the pistol to test the CO₂ pressure.
- If no CO₂ pressure is evident, change the CO₂ cartridge.



WARNING: Keep hands and face at safe distance from the CO₂ cartridge. Escaping CO₂ gas can lead to frostbite!

6. Use and handling fo CO₂ cartridges

Certain conditions such as improper storage or very rapid firing can negatively effect the efficient performance or your CO₂ pistol.



WARNING: Do not store your pistol in an area of unusually high or low temperature. High temperature can cause increased pressure in the CO₂ cartridge leading to a malfunction or permanent damage to the pistol. Low temperatures can reduce pressure in a CO₂ cartridge leading to weak shots. Do not leave your gun unattended in bright sunlight. The CO₂ cartridge can get too hot and explode, damaging the gun and injuring or killing anyone nearby.

1. Rapid-fire shooting will quickly chill a CO₂ cartridge leading to reduced pressure and pellet velocity.
2. Rapid fire shooting leads to reduced shooting efficiency.
3. As the cartridge loses pressure you will notice several characteristics:
 - A) The sound of the actual shot will not be as loud.
 - B) Pellet impact will be lower on the target.

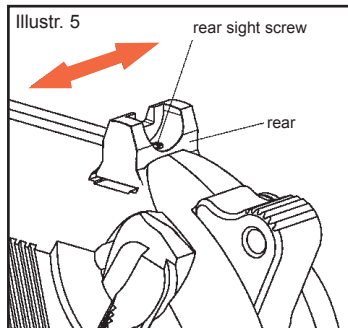


WARNING: Continued shooting when the cartridge has lost pressure could cause a pellet to lodge in the barrel! See the warning on feed jam.

7. Adjusting the rear sight

Aim at a safe target and line-up the front sight in the middle of the rear sight (see illustration 6).

Fire several test shots to determine if your sight need to be adjusted. The Beretta Mod. 92 is supplied with a standard rear sight. A fully adjustable rear sight is available as an accessory. The weapon is zeroed at a distance of 10 m.



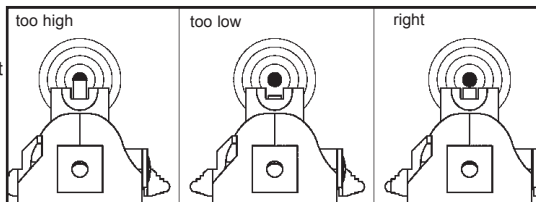
Standard rear sight adjustment

Windage adjustment of the sights is by moving the rear sight. Loosen the screws securing the rear sight (see illustr. 5).

- If your pistol is shooting to the RIGHT, slide the rear sight to the left.
- If your pistol is shooting to the LEFT, slide the rear sight to the right.

Fire several test shots to confirm your sight correction. Tighten the screw securing the rear sight.

Illustr. 6



8. Storage



Never leave a loaded gun unattended!

Always store your gun unloaded. Open the slide and remove the pellet cylinder and check to insure that no pellet remains in the barrel. Remove the CO₂ cartridge. Store your pistol in a separate location from the pellets and CO₂ cartridges. Keep out of reach of children and unauthorized persons.

9. Maintenance

With the proper maintenance your pistol will give you years of pleasant shooting.



WARNING: Do not attempt to clean your pistol without first having put the safety on, removing the pellet cylinder and CO₂ cartridge, and checking to insure that no pellet remains in the barrel.

Clean the surface of your pistol with a soft cloth and gun oil.

To insure continued proper function, place 2-3 drops of gun oil on the cartridge lock, slide rails and grip lock button after every 250 shots.

Perfect long-lasting operation is guaranteed from your gun if it is cleaned at regular intervals with maintenance capsules and cleaning slugs (see chapter on special accessories).

10. Problems

Problems	POSSIBLE REASONS	safety is on	CO ₂ -cartridge is empty	barrel is dirty	CO ₂ -cartridge is defective	extreme temperatures	incorrect pellets	pellets inserted in the pellet cylinder incorrectly	slide is not properly closed and locked	incorrect sight adjustment
Bad shooting efficiency		●	●		●	●	●		●	
Gun does not function	●	●		●		●	●	●		
Low pellet velocity		●	●		●	●	●			

11. Modifications



WARNING: This pistol has been designed and manufactured for optimum function and efficiency. Do not make any modifications as they could lead to malfunction or unsafe conditions.

12. Repair

Do not attempt to repair this pistol if it needs service. Incorrect assembly could lead to dangerous malfunction.



Repairs should only be completed by Beretta authorized service.

13. Warranty on Beretta CO₂-air pistol

Within one year from date of purchase Walther will repair or replace the pistol free of charge if the defect was not caused by you. Return the gun to the authorised dealer where you have bought it.



WARNING: When carrying the gun make sure that the safety is ON, the pistol is unloaded and the CO₂ cartridge is removed.

14. Safe handling of your pistol

It is your responsibility to be familiar with the safe and correct use of your pistol.

- Always handle your pistol as if is loaded.
- When loading your pistol, insure that the safety is ON, and do not put your finger near the trigger.
- Use only the recommended pellets and CO₂ cartridges.
- Always point the muzzle in an safe direction.
- Remember that this is a high efficiency pistol capable of propelling a pellet over 400 yards.
- Always check a gun to see if it is loaded when removed from storage or received from another person.
- Never transport your pistol when loaded.
- Do not aim at people or pets. Never shoot at a hard surface or water.
- Be sure that your target and backstop are safe.
- Make sure you can control the direction of the muzzle if you stumble or fall.
- Unload your airgun before giving it to another person.
- Always wear shooting glasses when shooting your pistol.
- Always store your pistol in a secure location out of the reach of children or unskilled users.
- Store your pellets and CO₂ cartridges in a seperate location.
- When transferring this pistol be sure to include this instruction manual.
- Repairs to this pistol should only be done by Walther authorized service.
- Never leave a loaded gun unattended.

15. Technical Data

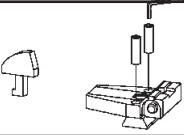
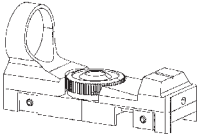
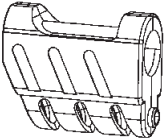
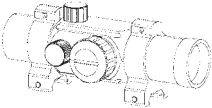
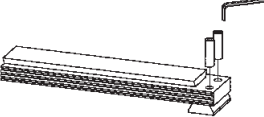
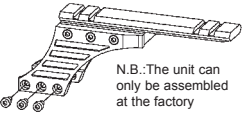

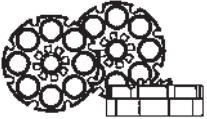
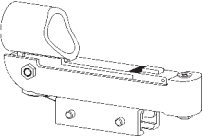
	Mod. 92 FS	Mod. 92 FS Match
Mechanical system	: CO ₂ -Pistol	CO ₂ -Pistol
Caliber	: .177 (4.5mm)	.177 (4.5mm)
Cylinder capacity	: 8 rounds	8 rounds
Total length	: 8" (210 mm)	10" (260mm)
Weight	: 44 ounces (1260 g)	48 ounces (1360 g)
Muzzle velocity	: ca 393 ft (ca. 120 m/sec.)	ca. 393 ft (ca. 120 m/sec.)
Barrel length	: 4.5" (115mm) rifled barrel	4.5" (115mm) rifled barrel
Function	: (12 g) CO ₂	(12 g) CO ₂
Safety	: <ul style="list-style-type: none">- Manual firing pin safety- Trigger safety when slide open	<ul style="list-style-type: none">- Manual firing pin safety- Trigger safety when slide open

16. Parts illustration

Pos.	Code No.	Discription
1.	419.20.01.0	Frame, blue
	419.22.01.0	Frame, nickel plated
2.	419.20.02.0	Cover plate, blue
	419.22.02.0	Cover plate, nickel plated
3.	347.20.06.6	Cover plate & Safety lever screw
4.	416.20.03.1	Valve bushing
5.	416.20.04.2	O-ring
6.	416.20.05.0	Valve chamber
7.	416.20.06.1	Valve spring
8.	416.20.07.2	O-ring
9.	416.20.09.1	Firing pin
10.	419.20.03.0	Safety left
11.	419.20.04.0	Safety right
12.	419.20.05.0	Hammer
13.	419.20.06.0	Hammer pivot
14.	419.20.07.0	Hammer plunger
15.	419.20.08.1	Hammer spring
16.	419.20.09.0	Hammer plunger seat
17.	419.20.10.0	Sear
18.	303.20.13.3	Pin
19.	319.20.23.1	Sear spring
20.	419.20.11.0	Trigger
21.	319.20.27.3	Trigger pin
22.	419.20.12.0	Trigger bar
23.	419.20.13.1	Trigger bar spring
24.	416.20.16.0	Cylinder
25.	419.20.14.0	Cylinder latch
26.	370.20.13.1	Cylinder latch spring
27.	416.20.12.1	Pin
28.	416.20.19.0	Pawl
29.	417.20.41.1	Pawl spring
30.	416.20.20.0	Trigger lock
31.	416.20.21.0	Trigger lock nut
32.	316.40.06.1	Trigger lock spring
33.	414.20.20.0	Trigger lock screw
34.	419.20.15.0	Locking lever
35.	419.20.16.0	Locking lever catch
36.	319.20.21.1	Release button spring
37.	419.20.17.0	Release lever
38.	419.20.18.1	Release lever spring
39.	419.20.19.0	Guide rod
40.	419.20.20.0	Cartridge lock
41.	416.20.27.0	Pressure plate

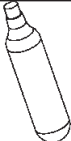


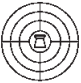
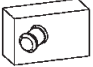
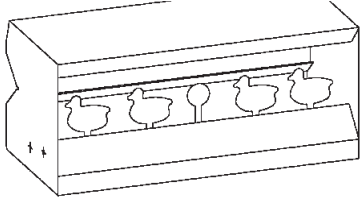
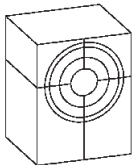
Pos.	Code No.	Discription
42.	419.20.21.0	Cartridge screw
43.	417.20.37.1	Cartridge lock spring
44.	419.20.22/23.1	Grip plates (pair), plastik
	419.21.02/03.1	Grip plates (pair), wood
45.	319.20.15.0	Grip plate screw
46.	417.20.30.1	Grip plate catch
47.	419.20.25.0	Grip plate release button
48.	419.20.26.0	Slide stop (non functional)
49.	370.20.26.3	Screw for slide stop
50.	303.40.05.1	Safety spring
51.	303.40.07.3	Dentent ball
52.	316.20.12.1	Spring
53.	419.20.28.1	Thrust piece
54.	419.40.01.0	Slide, blue
	419.41.01.0	Slide, nickel plated
55.	419.40.02.0	Barrel pushing, blue
	419.41.02.0	Barrel pushing, nickel plated
56.	419.40.03.1	Barrel
57.	416.40.07.2	O-ring
58.	419.40.04.0	Barrel bed
59.	419.40.05.0	Clamp
60.	416.40.09.1	Cylinder pin
61.	416.40.08.1	Slide spring
62.	419.40.06.0	Slide screw
63.	419.40.07.3	Clamp screw
64.	419.50	Compensator, blue
	419.51	Compensator, nickel plated
65.	419.50.04.0	Screw
66.	419.70.01.0	Rear side assy
67.	419.70.02.0	Front side
68.	416.60.01.0	Valve ody
69.	416.60.06.2	O-ring
70.	416.60.05.1	Disk at pestle
71.	416.60.07.1	Release button spring
72.	416.60.02.0	Pestle
73.	416.60.13.1	Spring clip
74.	416.60.04.2	Packing at pestle
75.	416.60.12.2	O-ring
76.	416.60.03.1	Valve nut
77.	416.60.08.1	Filter
78.	416.60.09.0	Puncture
79.	416.60.10.1	Packing at detonater
80.	416.60.11.1	Nut at detonater
81.	416.70.04.3	Sight wrench
82.	419.20.31.3	Disk
83.	303.40.08.1	Spring for thrust piece

Special accessories for Beretta 92 FS

	<p>Sights vertically and horizontally adjustable sight with front sight</p> <p>Part. no.: 419.105</p>		<p>Point Sight "Competition" Brightness adjustable in 11 steps, with adapter rail mount. and 11mm dove tail guide, Lenght: 100mm Weight: 55g</p> <p>Part. no.: 2.1016</p>
	<p>Compensator</p> <p>Part. no.: 419.101 blue Part. no.: 419.102 nickel plated</p>		<p>Red-Dot-Sight "Top-Point" Brightness adjustable in 11 steps, with mount rings Lenght: 138mm Weight: 210g</p> <p>Part. no.: 2.1012</p>
	<p>Adapter rail with 11mm dove tail guide For sights: -2.1016 -5.8051</p> <p>Part. no.: 416.112</p>		<p>Add-on kit Bridge-Montage For sights: -2.1012 -2.1016</p> <p>Part. no.: 419.141</p>
	<p>Adapter Rail for 11 mm and 22 mm dove tail guide</p> <p>Part. no.: 416.116</p>		<p>Cylinder magazine</p> <p>Pack of 3 Part. no.: 416.120</p>
	<p>Red dot optical sight Brightness adjustable in 2 steps, vertically and horizontally adjustable with adapter rail mount. and 11mm dove tail guide, Lenght: 112mm Weight: 60g Part. no.: 5.8051</p>		

Subject to change without prior notice

Special accessories for Beretta 92 FS

 <p>CO₂-Capsules Pack of 10; contents 12g; for all CO₂ airguns Part. no.: 4.1682</p> <p>Maintenance capsule de CO₂ Pack of 5; for all CO₂ airguns Part. no.: 4.1683</p>	<div style="display: flex; justify-content: space-around;">     </div> <div style="display: flex; justify-content: space-between;"> <div style="width: 22%;"> <p>Waisted Match pellets "Diablo" cal. 4.5mm(.177) smooth (5000 Pack) 4.1951</p> </div> <div style="width: 22%;"> <p>Pointed waisted pellets "Diablo" cal. 4.5mm(.177) copper (5000 Pack) 4.1952</p> </div> <div style="width: 22%;"> <p>Finale Match cal. 4.5mm(.177) Air pistol pellets (5000 Pack) 4.1940</p> </div> <div style="width: 22%;"> <p>High Power Pellet cal. 4.5mm(.177) Air pistol pellets (400 Pack) 4.1675</p> </div> </div>
<p>Cleaning slugs Part. no.: 3.2055</p>	
<p>Targets</p> <p>17*17cm, for Pellet trap 3.2071 per 250 pieces Part. no.: 3.2095</p>	<p>Pellet trap</p> <p>for targets 10-17cm Part. no.: 3.2071</p>
 <p>Magnetic Pellet Trap 4 targets are knocked down when a hit is scored. When the center target is hit; all targets return to the upright position. Dimensions: 49*22*30 cm Part. no.: 3.2080</p>	 <p>Five Pack Set, cal. 4.5mm(.177) Waisted pellets "Diablo", ribbed; Waisted Match pellets "Diablo", smooth; Pointed waisted pellets "Diablo", copper; Pointed waisted pellets "Diablo", ribbed; Hollow Point Semi Wadcutter; smooth (a 500 pieces) Part. no.: 4.1950</p>
<p>Protective Shooting glaces</p> <p>yellow Part. no.: 2.5013 clear Part. no.: 2.50133</p>	<p>Hard-shell case, black Part. no.: 419.109</p> <p>Beretta belt holster "Quick Defense" Made from black leather. Method of carriage: FBI or Cross-Draw Part. no.: 3.1541</p> <p>Beretta universal holster Made from black leather; Method of carriage: to be use either as shoulder holster or belt holster Part. no.: 3.1542</p> <p>Beretta competition holster "Speed Machine" Short travel for fast draw, adjustable draw angle and gun hold. Part. no.: 3.1543</p> <p>Cordura ammunition belt, with slide-on pouches for magazine and diabolos, 5 loops on belt for gas cylinder Part. no.: 3.1530</p>

Subject to change without prior notice

UMAREX®

Service:

UMAREX Sportwaffen
GmbH & Co KG

Postfach 2720
D-59717 Arnsberg

Neheim, Donnerfeld 2
D-59757 Arnsberg

Telefon 02932 / 638-01
Telefax 02932 / 638-222

E-Mail: sales@umarex.de
Internet: www.umarex.com

