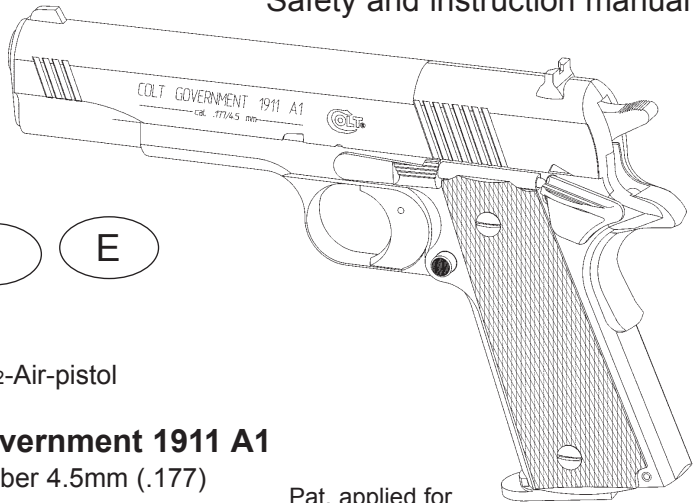


Safety and instruction manual



D

GB

F

E



CO₂-Air-pistol

Government 1911 A1

Caliber 4.5mm (.177)

Pat. applied for



You must be 18 years old to purchase this air pistol. Warning: Carefully read and follow these instructions before using this pistol. If there is anything you do not understand, get help from someone qualified in the safe handling of guns. It is your responsibility to follow the rules of safe use and ownership of this air pistol.



This symbol marks safety warnings in this instruction manual. When you see this symbol you should pay close attention to the warning.



Read the instruction manual carefully. Only load the pistol immediately before you intend to shoot. If you have charged the gun and will not shoot, discharge the pistol as described. Only an unloaded gun with the safety on is really safe. Accidents can happen very quickly! Warning: If this gun is carelessly or improperly handled, unintentional discharge could result causing injury, death or damage to property. Please be very careful when shooting!

The chapter "Safe aiming and shooting" in this instruction manual will inform you about the rules for safe shooting. Read this chapter! Follow these rules and be sure that everybody handling this gun is familiar with the rules. Also read the chapter "Safe handling of guns" to avoid accidents.

Your air pistol should be treated with the same respect as a firearm. Always be aware that the most important safety aspect of a gun is the shooter. All safeties are mechanical and the shooter is responsible for its proper use. Do not rely on mechanical safeties, think in advance and avoid situations which may lead to an accident.

Every gun differs in function. You should never shoot a gun you are not familiar with. Read the following instruction manual and practice safety handling your gun prior to loading it.

See the following sections for information on safe shooting:

1. Refer to the parts illustration to become familiar with your new air pistol
2. Use of the safety
3. Installing and changing the CO₂ cartridge
4. Loading and unloading the air pistol
5. Safe aiming and shooting
6. Use and handling of CO₂ cartridges
7. Adjusting the rear sight
8. Storage
9. Maintenance
10. Problems
11. Modifications to the gun
12. Repair of air pistols
13. Warranty for air pistols
14. Safe handling of guns
15. Technical specifications
16. Parts illustration

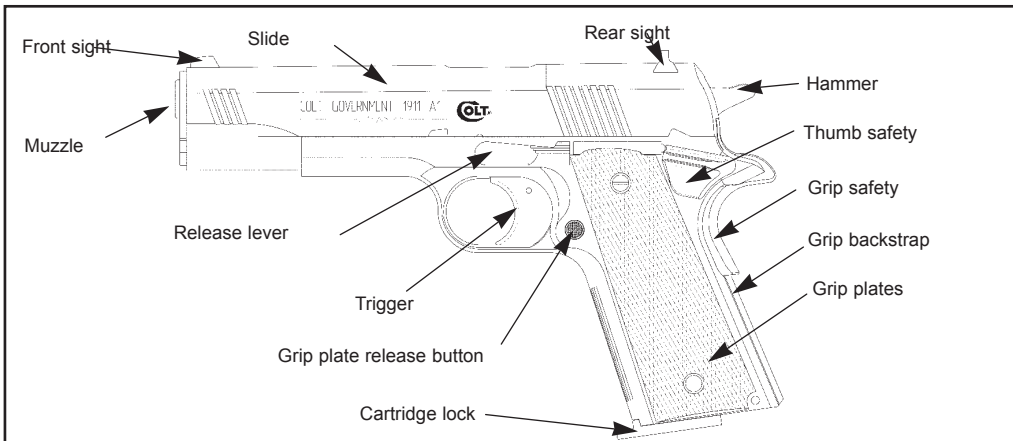


Never leave an unattended gun loaded and ready to fire!

Always keep and carry your pistol unloaded. Put the safety to the lower position and be sure that there is no pellet in the chamber. During storage, remove the pellet in the chamber. During storage, remove the pellet cylinder and CO₂ cartridge and store them in a separate location. Keep out of reach children and unauthorised persons.

1. Refer to the parts illustration to become familiar with your new air pistol

It is your responsibility to become familiar with the components parts of your pistol. You will understand this instruction manual properly with this knowledge.



2. Use of the safety

The pistol has two separate safeties, a thumb safety and a grip safety. The pistol can not be fired unless both safeties are disengaged as described below.

2.1 Grip safety

A. The grip safety is normally engaged, so that the pistol can not be fired (Illustr.. 2.1.1)

B. To disengage the grip safety it es necessary to firmly grasp the butt. The pistol can now be fired (Illustr.. 2.1.2).

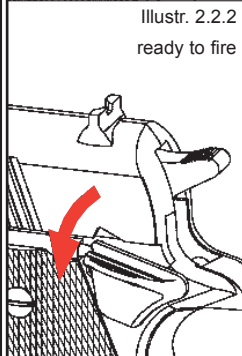
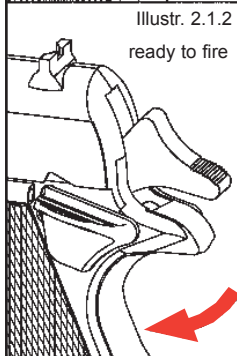
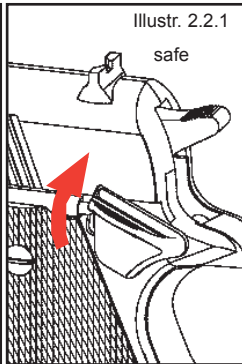
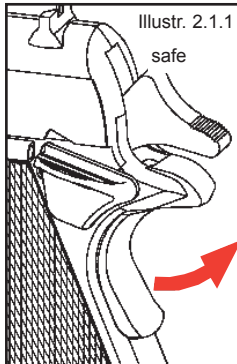
When the butt is released the grip safety automatically returns to the engaged position so that the pistol can not be fired.

2.2 Thumb safety

A. To secure the pistol against unintended discharge, push the thumb safety to the "up" position as shown in illustration 2.2.1.

B. Do not handle the pistol unless this safety is on. Even when the safety is on, always keep the barrel pointed in a safe direction.

C. To disengage the safety push it down. The pistol can now be fired (Illustr. 2.2.2).



WARNING:

We recommend that the safety lever always be in the "SAFE" position until you intend to shoot.

3. Inserting and changing the CO₂ cartridge

A. Inserting a CO₂ cartridge



WARNING: Before inserting a CO₂ cartridge, insure that the safety is ON and the muzzle is pointed in a safe direction!

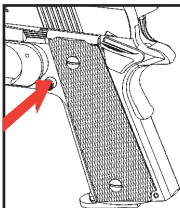
Note: Use only 12g CO₂ cartridges! Do not use cartridges containing other gases!

Press the grip release button on the left side of the trigger housing (Illustr. 3.1) to lift off the grip on the right-hand side (Illustr. 3.2). Open the cartridge pressure plate and unscrew the cartridge adjustment screw all the way (Illustr. 3.3). Insert a cartridge into the butt with the narrow end first (Illustr. 3.4), screw the cartridge adjustment screw back up to push the cartridge up, and then close the cartridge pressure plate (Illustr. 3.5). The CO₂ cartridge is now pierced and sealed. Put the grip back on by positioning the lugs on the grip in the holes in the butt frame and pressing the grip on.

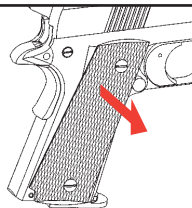
To make sure the cartridge has been properly pierced, check to make sure that the pistol is unloaded, disengage the safety and shoot in a safe direction. If the pistol will not fire repeat the cartridge loading procedure as described above.



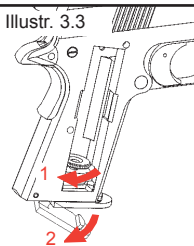
WARNING: Do not use force to insert the CO₂ cartridge. If you are not going to use the weapon for an extended period, we recommend removing the die CO₂ cylinder in order to prevent strain on the valve.



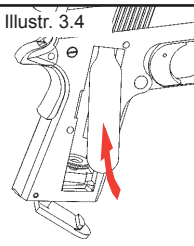
Illustr. 3.1



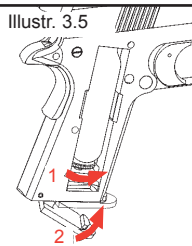
Illustr. 3.2



Illustr. 3.3



Illustr. 3.4



Illustr. 3.5

B. Remove the CO₂ cartridge

Put the safety ON (thump safety in upper position). Hold the pistol by the butt with one hand. With the other hand open the cartridge pressure plate. Now press the grip release button (Illustr. 3.1) to lift off the grip (Illustr. 3.2). Unscrew the cartridge adjustment screw all the way (Illustr. 3.3). You can now remove the cartridge.



WARNING: Keep face and hands in a safe distance and use caution when removing the CO₂ cartridge, escaping CO₂ gas can cause frostbite.



WARNING! CO₂-cartridges can explode in temperatures above 122 degrees Fahrenheit. Do not dispose of cartridges in a fire. Do not store cartridges in temperature above 122 degrees Fahrenheit. Do not use spent CO₂ cartridges for any other purpose. Do not leave CO₂ cartridges in a automobile in direct sunlight.

4. Loading and unloading the pistol



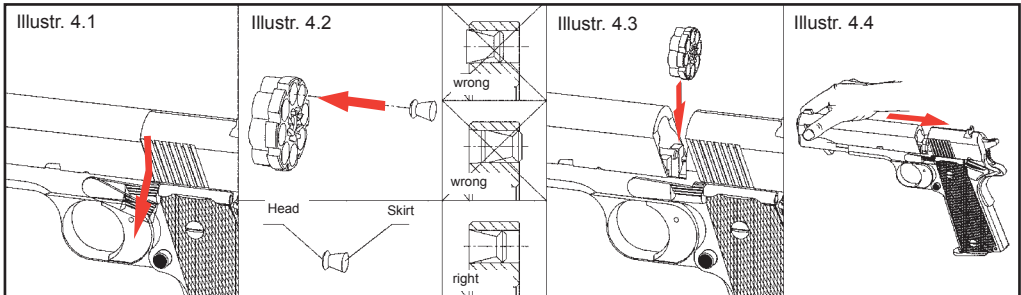
WARNING: Use only .177 caliber (4.5mm) Diabolo pellets with a maximum length of 6.5mm. Do not use BBs or other unsuitable pellets.

A. Loading the pistol

- Put on the safety (thumb safety in upper position).
- Open the slide by pushing the release lever downward (see illustr. 4.1). Hold the pistol horizontally to keep the pellet cylinder in place and prevent it from falling out of the pistol.
- A safety prevents the trigger from being pulled when the weapon is open.
- Remove the pellet cylinder and load the Diabolo pellets head first (see illustration 4.2) insuring that each is completely inserted.
- In order to prevent malfunctions it is to be made sure that the pellets are seated flush in the chambers of the rotary magazine, or, even better, that they are seated somewhat countersunk in the chambers.
- Place the pellet cylinder back in the pistol (see illustr. 4.3) and close the slide by grasping the front hatching and pushing it closed until it catches. (Illustr. 4.4).



WARNING: Do not put your hand over the muzzle! Do not put your finger on the trigger! Make sure that muzzle is pointed in a safe direction! Never aim at people or pets.



B. Unloading the pistol

- Put the safety on (thumb safety in upper position).
- Open the slide by pushing the release lever downward (see illustration 4.1).
- Remove the pellet cylinder and carefully push the pellets out of the cylinder with the cleaning rod.



WARNING: Never use a metal object to remove the pellets.
Damage to cylinder or barrel impairs the function.

- Make sure that there is no pellet in the barrel.
- If there is a pellet in the barrel, push it out with the cleaning rod.
- Never shoot with a used pellet. It could damage cylinder and barrel.

5. Safe aiming and shooting



WARNING: Always point the muzzle of the gun in a safe direction. Never aim at people or pets. Always handle your pistol as if it is loaded and ready to fire.

Make sure the safety is ON, insert the CO₂ cartridge, and load the pistol as described.



WARNING: Be very careful where you aim this high efficiency pistol. Aim only at objects that cannot be penetrated. Never shoot at hard surfaces or water. A Diabolo pellet may ricochet and travel in another direction.

When you are ready to shoot move the safety to the OFF position (see illustr. 2.2.2). Follow the instruction as outlined in this manual. Squeeze the trigger with steady pressure until the pistol fires.

Double Action/Single Action

The pistol will function in either double-action or single-action mode.

To fire in double action, apply steady pressure to the trigger until the pistol fires.

To fire in single action, first cock the hammer to active single-action mode, then apply steady pressure to the trigger until the pistol fires.

For rapid-fire shooting we recommend the double-action mode, for more precise aimed shooting we recommend the single-action mode.



WARNING: Do not assume that the pistol is unloaded if it fails to fire properly!

WARNING: Insufficient CO₂ pressure could cause a pellet to lodge in the barrel. See chapter 7, "Use and handling of CO₂ cartridges" for further instructions.

If a pellet fails to be shot after execution of the operation steps mentioned before this could be due to a feed jam.



A feed jam is dangerous.

- Put the safety ON covering the RED indicator.
- Open the slide and remove the pellet cylinder.
- Check that each pellet is properly inserted in the cylinder.
- Check the barrel with the cleaning rod to insure that no pellet is lodged in the barrel.
- Close and lock the slide without replacing the pellet cylinder.
- Aim in a safe direction, turn the safety OFF and shoot the pistol to test the CO₂ pressure.
- If no CO₂ pressure is evident, change the CO₂ cartridge.



WARNING: Keep hands and face at safe distance from the CO₂ cartridge. Escaping CO₂ gas can lead to frostbite!

6. Use and handling fo CO₂ cartridges

Certain conditions such as improper storage or very rapid firing can negatively effect the efficient performance or your CO₂ pistol.



Do not store your pistol in an area of unusually high or low temperature. High temperature can cause increased pressure in the CO₂ cartridge leading to a malfunction or permanent damage to the pistol. Low temperatures can reduce pressure in a CO₂ cartridge leading to weak shots. Do not leave your gun unattended in bright sunlight. The CO₂ cartridge can get too hot and explode, damaging the gun and injuring or killing anyone nearby.

1. Rapid-fire shooting will quickly chill a CO₂ cartridge leading to reduced pressure and pellet velocity.
2. Rapid fire shooting leads to reduced shooting efficiency.
3. As the cartridge loses pressure you will notice several characteristics:
 - A) The sound of the actual shot will not be as loud.
 - B) Pellet impact will be lower on the target.



WARNING: Continued shooting when the cartridge has lost pressure could cause a pellet to lodge in the barrel!
See the warning on feed jam.

7. Adjusting the rear sight

Aim at a safe target and line-up the front sight in the middle of the rear sight (see illustration 7.1).

Fire several test shots to determine if your sight need to be adjusted. The Colt Government 1911 A1 is supplied with a standard rear sight. A fully adjustable rear sight is available as an accessory.

The weapon is zeroed at a distance of 10 m.

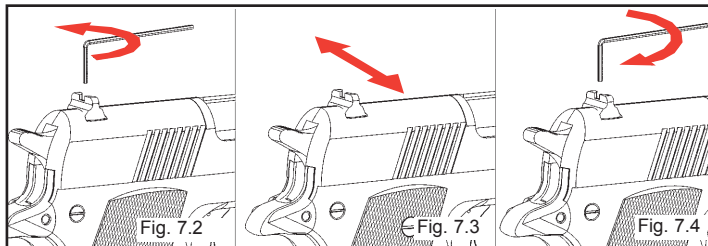
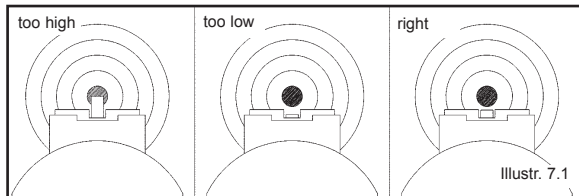
Adjusting the fixed sight

You can adjust the rear sight for windage by moving it sideways. To do this you must first loosen the rear sight using the Allen key supplied with the pistol (Illustr. 7.2).

Adjust the windage as shown in Illustr. 7.3:

- If your pistol is shooting to the right:
Move the rear sight to the left.
- If your pistol is shooting to the left:
Move the rear sight to the right.

Then tighten the rear sight screw once again (Illustr. 7.4).



8. Storage



Never leave a loaded gun unattended!

Always store your gun unloaded. Open the slide and remove the pellet cylinder and check to insure that no pellet remains in the barrel. Remove the CO₂ cartridge. Store your pistol in a separate location from the pellets and CO₂ cartridges. Keep out of reach of children and unauthorized persons.

9. Maintenance

With the proper maintenance your pistole will give you years of pleasant shooting.



WARNIG: Do not attempt to clean your pistol without first having put the safety on, removing the pellet cylinder and CO₂ cartridge, and checking to insure that no pellet remains in the barrel.

Cean the surface of your pistol with a soft cloth and gun oil.

To insure continued proper function, place 2-3 drops of gun oil on the cartride lock, slide rails and grip lock button after every 250 shots.

Perfect long-lasting operation is guaranteed form your gun if it is cleaned at regular intervals with maintenance capsules and cleaning slugs (see chapter on special accessories).

10. Problemes

Problems	POSSIBLE REASONS	safety is on	CO ₂ -cartridge is empty	barrel is dirty	CO ₂ -cartridge is defective	extreme temperatures	incorrect pellets	pellets inserted in the pellet cylinder incorrectly	slide is not properly closed and locked	incorrect sight adjustment
Bad shooting efficiency		●	●		●	●	●		●	
Gun does not function	●	●		●		●	●	●		
Low pellet velocity		●	●		●	●	●			

11. Modifications



WARNING: This pistol has been designed and manufactured for optimum function and efficiency. Do not make any modifications as they could lead to malfunction or unsafe conditions.

12.Repair

Do not attempt to repair this pistol if it needs service. Incorrect assembly could lead to dangerous malfunction.



Repairs should only be completed by Colt or Umarex authorized service.

13. Warranty on Colt CO₂-air pistol

Within one year from date of purchase Colt will repair or replace the pistol free of charge if the defect was not caused by you. Return the gun to the authorised dealer where you have bought it.



WARNING: When carrying the gun make sure that the safety is ON, the pistol is unloaded and the CO₂ cartridge is removed.

14. Safe handling of your pistol

It is your responsibility to be familiar with the safe and correct use of your pistol.

- Always handle your pistol as if is loaded.
- When loading your pistol, insure that the safety is ON, and do not put your finger near the trigger.
- Use only the recommended pellets and CO₂ cartridges.
- Always point the muzzle in an safe direction.
- Remember that this is a high efficiency pistol capable of propelling a pellet over 400 yards.
- Always check a gun to see if it is loaded when removed from storage or received from another person.
- Never transport your pistol when loaded.
- Do not aim at people or pets. Never shoot at a hard surface or water.
- Be sure that your target and backstop are safe.
- Make sure you can control the direction of the muzzle if you stumble or fall.
- Unload your airgun before giving it to another person.
- Always wear shooting glasses when shooting your pistol.
- Always store your pistol in a secure location out of the reach of children or unskilled users.
- Store your pellets and CO₂ cartridges in a seperate location.
- When transferring this pistol be sure to include this instruction manual.
- Repairs to this pistol should only be done by Colt authorized service.
- Never leave a loaded gun unattended.

15. Technical Data

Normal version / Compensator version

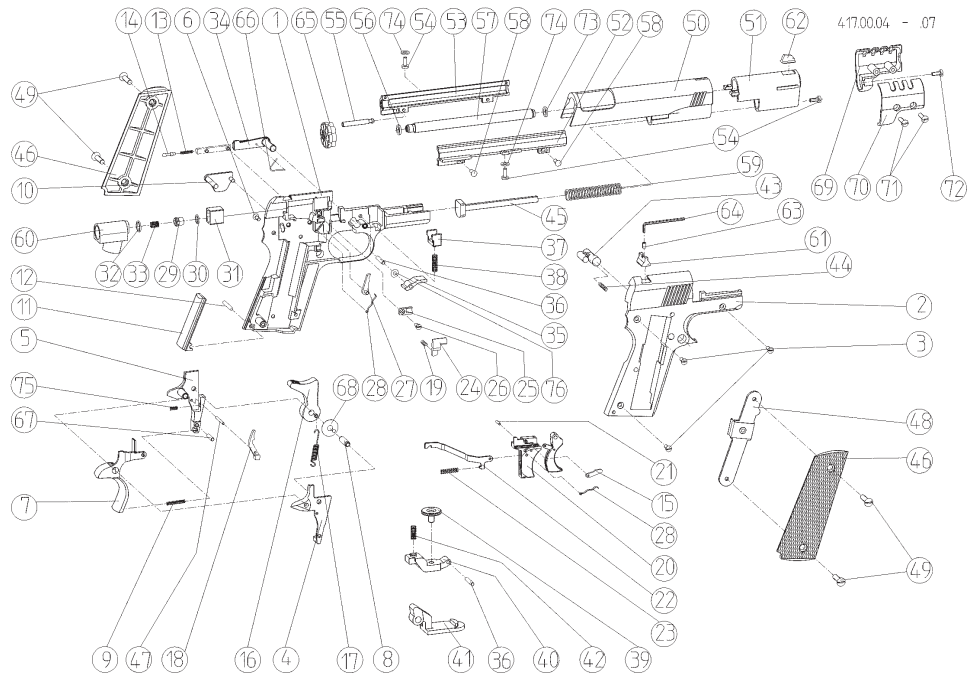
Mod. Colt Government 1911 A1

Mechanical system	CO ₂ -Pistol
Caliber	.177 (4.5mm)
Cylinder capacity	8 rounds
Total length	9" (220mm) / 10" (255 mm)
Weight	38 ounces (1080g) / 40.5 ounces (1150g)
Muzzle velocity	393 ft (120m/sec.)
Barrel length	5" (122.5mm) rifled barrel
Function	12g CO ₂
Safety	-Thumb safety -Trigger safety when slide open -Grip safety

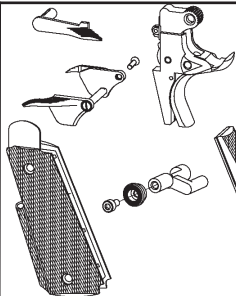
16. Parts illustration

Pos.	Code-No.	Description
1	417.20.01.0	Frame, blue
	417.22.01.0	Frame, nickel plated
2	417.20.02.0	Cover plate, blue
	417.22.02.0	Cover plate, nickel plated
3	370.20.26.0	Cover plate and safety lever screw
4	417.20.03.0	Hammer assembly right, blue
	417.22.03.0	Hammer assembly right, nickel plated
5	417.20.04.0	Hammer assembly left, blue
	417.22.04.0	Hammer assembly left, nickel plated
6	417.20.40.0	Hammer assembly screw
7	417.20.05.0	Grip safety
8	417.20.23.1	Hammer assembly pin
9	417.20.34.1	Grip safety spring
10	417.20.07.0	Thumb safety
11	417.20.08.0	Grip backstrap
12	417.20.33.0	Grip backstrap pin
13	317.30.19.1	Safety spring
14	417.20.43.1	Safety pin
15	417.20.10.0	Cylinder latch
16	417.20.11.0	Hammer
17	417.20.42.1	Hammer spring
18	417.20.12.0	Lever
19	316.40.06.1	Trigger lock spring
20	417.20.48	Trigger assembly unit
21	373.20.16.3	Pin
22	417.20.14.1	Connecting bar
23	417.20.35.1	Connecting bar spring
24	416.20.20.0	Trigger lock
25	417.20.25.0	Trigger lock nut
26	318.70.05.0	Bolt face screw
27	417.20.15.0	Pawl
28	417.20.41.1	Pawl spring
29	417.20.50.1	Valve bushing
30	416.20.04.2	O-ring
31	416.20.05.0	Valve chamber
32	416.20.07.2	O-ring
33	416.20.06.1	Valve spring
34	417.20.16.0	Release lever
35	417.20.17.0	Locking lever
36	303.20.13.3	Pin
37	417.20.18.0	Locking lever catch
38	417.20.36.1	Locking piece spring
39	414.20.21.0	Cartridge screw
40	417.20.19.0	Pressure plate
41	417.20.20.0	Cartridge lock
42	417.20.37.1	Cartridge lock spring
43	417.20.21.0	Grip plate released button
44	417.20.35.1	Release button spring
45	417.20.22.0	Guide rod
46	417.20.27/28	Grip plate (pair), plastic
	417.21.01/02	Grip plate (pair), wood
	417.24.01/02	Plastic ivory grips (pair)
47	312.20.29.3	Release lever pin
48	417.20.29.0	Grip plate catch
49	319.20.15.0	Grip plate screws
50	417.40.01.0	Slide, blue
	417.41.01.0	Slide, nickel plated
51	417.40.02.0	Muzzle sleeve, blue
	417.41.02.0	Muzzle sleeve, nickel plated
52	417.40.03.0	Inner part of the slide right
53	417.40.04.0	Inner part of the slide left
54	344.20.30.0	Interior assembly screw
55	416.40.09.1	Drum axle
56	416.40.07.2	O-ring
57	417.40.05.1	5" barrel insert
58	417.40.06.0	Barrel rivet
59	416.40.08.1	Slide spring
60	416.60	Valve body
61	417.70.01.0	Rear sight
62	417.70.02.0	Front sight
63	416.70.02.0	Threaded pin
64	416.70.04.3	Sight wrench
65	416.20.16.0	Cylinder
66	417.20.31.1	Unlocking lever spring
67	360.60.09.3	Pin
68	417.20.44.1	Disk
69	417.50.01.0	Compensator half, left, blue
	417.51.01.0	Compensator half, left, nickel plated
70	417.50.02.0	Compensator half, right, blue
	417.51.02.0	Compensator half, right, nickel plated
71	370.20.26.0	Compensator screw
72	340.20.05.0	Screw
73	416.20.04.2	O-ring
74	417.40.07.3	Safety clip
75	448.20.26.1	Lever spring
76	417.20.45.3	Disk

4.17.00.04 - .07



Special accessories for Colt Mod. Government 1911 A1



Tuningset

with speed hammer, rapid release double thumb safety, beavertail grip safety

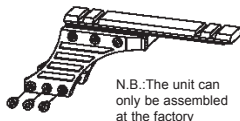
Combat grip

with thumb guard

Grip backstrap

Grip plate released button

Part. no.: 417.107

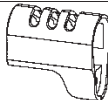


Add-on kit Bridge-Montage

For sights: -2.1012
-2.1016

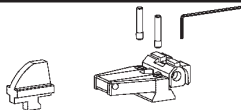
N.B.:The unit can only be assembled at the factory

Part. no.: 417.141



Compensator

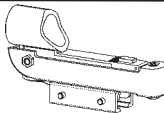
Part. no.: 417.100 blue
417.101 nickel plated



Sights

vertically and horizontally adjustable sight with front sight

Part. no.:417.105



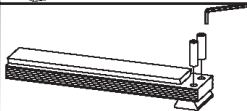
Red dot optical sight

Brightness adjustable in 2 steps, with adapter rail mount, and 11mm dove tail guide

Lenght: 112mm

Weight: 60 g

Part. no.: 5.8051



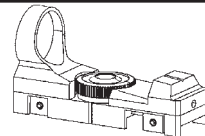
Adapter rail

with 11mm dove tail guide

For sights: -2.1016

-5.8051

Part. no.: 416.112



Point Sight "Competition"

Brightness adjustable in 11 steps, with adapter rail mount, and 11mm dove tail guide,

Lenght: 100mm

Weight: 55g

Part. no.: 2.1016



Adapter rail

for 11mm and 22mm dove tail guide

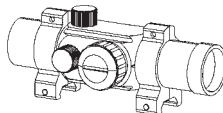
Part. no.: 416.116



Cylinder magazine

Pack of 3

Part. no.: 416.120



Red-Dot-Sight "Top-Point"

Brightness adjustable in 11 steps, with mount rings




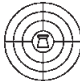
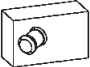
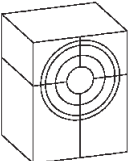
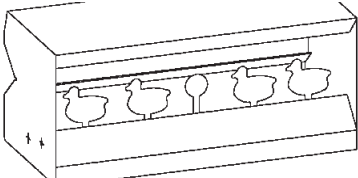
Lenght: 138mm

Weight: 210g

Part. no.: 2.1012

Subject to change without prior notice

Special accessories for Colt Mod. Government 1911 A1

 <p>CO₂-Capsules Pack of 10; contents 12g; for all CO₂ airguns Part. no.: 4.1682</p> <p>Maintenance capsule de CO₂ Pack of 5; for all CO₂ airguns Part. no.: 4.1683</p>	    <p>Waisted Match pellets "Diablo" cal. 4.5mm(.177) smooth (5000 Pack) 4.1951</p> <p>Pointed waisted pellets "Diablo" cal. 4.5mm(.177) copper (5000 Pack) 4.1952</p> <p>Finale Match cal. 4.5mm(.177) Air pistol pellets (5000 Pack) 4.1940</p> <p>High Power Pellet cal. 4.5mm(.177) Air pistol pellets (400 Pack) 4.1675</p>			
<p>Cleaning slugs Part. no.: 3.2055</p>				
<p>Targets</p> <p>17*17cm, for Pellet trap 3.2071 per 250 pieces Part. no.: 3.2095</p>	<p>Pellet trap</p> <p>for targets 10-17cm Part. no.: 3.2071</p>	 <p>Five Pack Set, cal. 4.5mm(.177) Waisted pellets "Diablo", ribbed; Waisted Match pellets "Diablo", smooth; Pointed waisted pellets "Diablo", cooper; Pointed waisted pellets "Diablo", ribbed; Hollow Point Semi Wadcutter; smooth (a 500 pieces) Part. no.: 4.1950</p>		
 <p>Magnetic Pellet Trap 4 targets are knocked down when a hit is scored. When the center target is hit; all targets return to the upright position. Dimensions: 49*22*30 cm Part. no.: 3.2080</p>		<p>Hard-shell case Part. no.: 417.109</p> <p>Government belt holster "Quick Defense" Made from black leather. Method of carriage: FBI or Cross-Draw Part. no.: 3.1531</p> <p>Government Universalholster Made from black leather. Method of carriage: to be use either as shoulder holster or as belt holster Part. no.: 3.1533</p> <p>Government competition holster "Speed Machine" Short travel for fast draw, adjustable draw angle and gun hold. Part. no.: 3.1540</p>		
<p>Protective Shooting glasses</p> <p>yellow Part. no.: 2.5013 clear Part. no.: 2.50133</p>		<p>Ammunition belt, with slide-on pouches for magazine and diabolos, 5 loops on belt for gas cylinder Part. no.: 3.1530</p>		

Subject to change without prior notice



Service:

Umarex Sportwaffen
GmbH & Co.KG

Postfach 2720
D-59717 Arnsberg

Donnerfeld 2
D-59757 Arnsberg

Telefon 02932 / 638-01
Telefax 02932 / 638-222

E-Mail: sales@umarex.de
Internet: www.umarex.com

