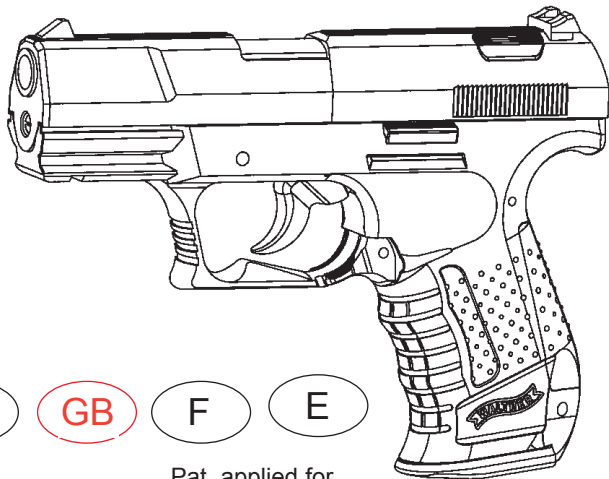


Safety and instruction manual



CO₂-Pistol

Mod. CP99

Caliber 4.5mm (.177)



Pat. applied for



You must be 18 years old to purchase this air pistol. Warning: Carefully read and follow these instructions before using this pistol. If there is anything you do not understand, get help from someone qualified in the safe handling of guns. It is your responsibility to follow the rules of safe use and ownership of this air pistol.



This symbol marks safety warnings in this instruction manual. When you see this symbol you should pay close attention to the warning.



Read the instruction manual carefully. Only load the pistol immediately before you intend to shoot. If you have charged the gun and will not shoot, discharge the pistol as described. Only an unloaded gun with the safety on is really safe. Accidents can happen very quickly! Warning: If this gun is carelessly or improperly handled, unintentional discharge could result causing injury, death or damage to property.

Please be very careful when shooting!

The chapter "Safe aiming and shooting" in this instruction manual will inform you about the rules for safe shooting. Read this chapter! Follow these rules and be sure that everybody handling this gun is familiar with the rules. Also read the chapter "Safe handling of guns" to avoid accidents.

Your air pistol should be treated with the same respect as a firearm. Always be aware that the most important safety aspect of a gun is the shooter. All safeties are mechanical and the shooter is responsible for its proper use. Do not rely on mechanical safeties, think in advance and avoid situations which may lead to an accident.

Every gun differs in function. You should never shoot a gun you are not familiar with. Read the following instruction manual and practice safety handling your gun prior to loading it.

See the following sections for information on safe shooting:

1. Refer to the parts illustration to become familiar with your new air pistol
2. Operation of the decocking lever
3. Exchange of backstrap
4. Use of the safety
5. Installing and changing the CO₂ cartridge
6. Loading and unloading the air pistol
7. Safe aiming and shooting
8. Use and handling of CO₂ cartridges
9. Adjusting the rear sight
10. Storage
11. Maintenance
12. Problems
13. Modifications to the gun
14. Repair of Walther air pistols
15. Warranty for Walther air pistols
16. Safe handling of guns
17. Technical specifications
18. Parts illustration

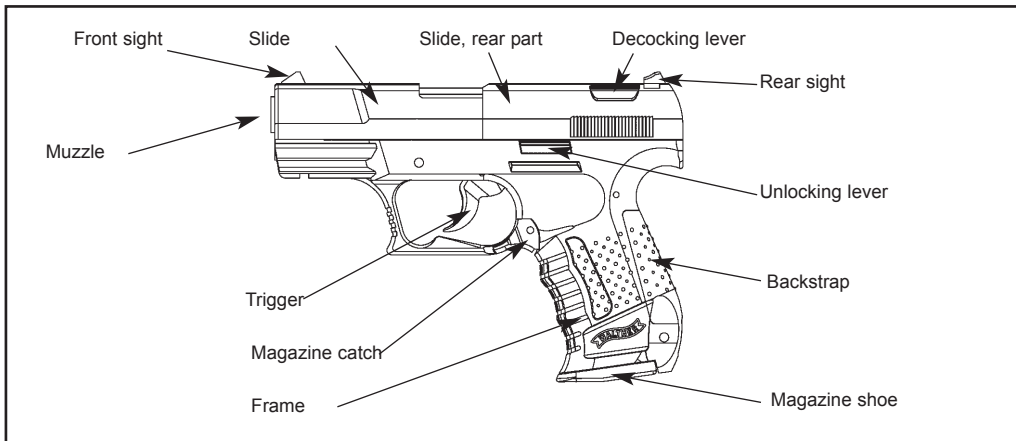


Never leave an unattended gun loaded and ready to fire!

Always keep and carry your pistol unloaded. Put the safety to the lower position and be sure that there is no pellet in the chamber. During storage, remove the pellet in the chamber. During storage, remove the pellet cylinder and CO₂ cartridge and store them in a separate location. Keep out of reach children and unauthorised persons.

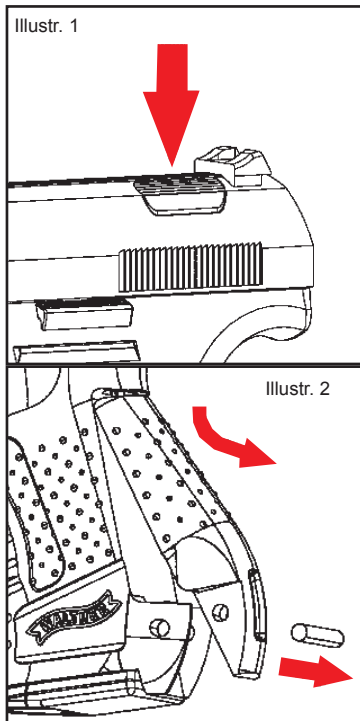
1. Refer to the parts illustration to become familiar with your new air pistol

It is your responsibility to become familiar with the components parts of your pistol. You will understand this instruction manual properly with this knowledge.



2. Operation of the decocking lever

Press the decocking lever down as illustrated in fig. 1. This decocks the hammer and moves it to the safety notch.



3. Exchange of backstrap

Remove the pin according to illustration 2 and remove the backstrap from the bottom of the grip.

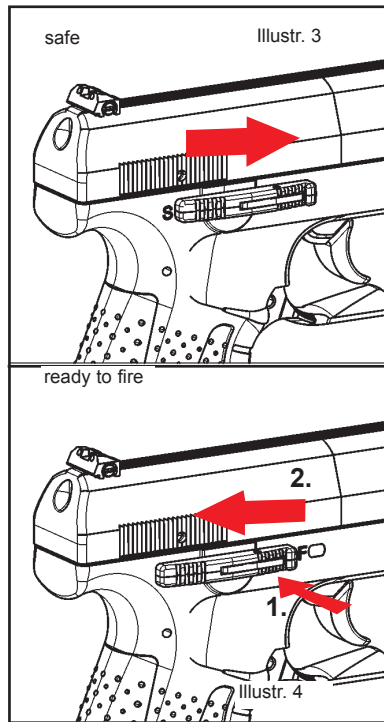
4. Use of the safety

- a) To engage the safety, push the safety to the forward position as shown in illustration 3. (red marking not visible)
- b) When handling this gun the safety should be ON and the muzzle pointed in a safe direction.
- c) Locate the latch on the safety (**Fig. 2**)
Push in the latch on the safety (**1.**) and slide the safety rearward (**2.**) toward the rear sight (red marking visible).
The pistol is now ready to fire (illustration 4).



WARNING:

We recommend that the safety lever always be in the "SAFE" position until you intend to shoot.



5. Inserting and changing the CO₂ cartridge

A. Inserting a CO₂ cartridge



WARNING: Before inserting a CO₂ cartridge, insure that the safety is ON and the muzzle is pointed in a safe direction!

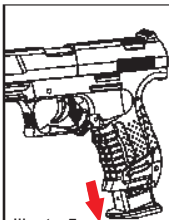
Note: Use only 12g CO₂ cartridges! Do not use cartridges containing other gases!

Actuate the magazine holder (illustr. 5) to remove the magazine. Turn the magazine lever towards "OPEN" and now turn the cylinder retaining screw (illustr. 6) all the way down. Allow remaining CO₂-gas to escape. Now the gas cylinder can be removed. Insert the gas cylinder with its narrow end ahead (illustr. 7), lock the gas cylinder by turning the cylinder retaining screw up and close the magazine shoe into the direction "POWER" (illustr. 8). The CO₂ cylinder is now pierced and sealed. Insert the magazine until it locks, with the safety of the weapon engaged (illustr. 9)

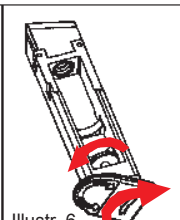
To make sure the cartridge has been properly pierced, check to make sure that the pistol is unloaded, disengage the safety and shoot in a safe direction. If the pistol will not fire repeat the cartridge loading procedure as described above.



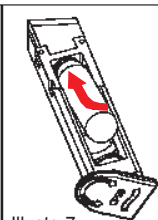
WARNING: Do not use force to insert the CO₂ cartridge. If you are not going to use the weapon for an extended period, we recommend removing the die CO₂ cylinder in order to prevent strain on the valve.



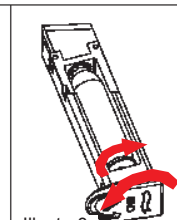
Illustr. 5



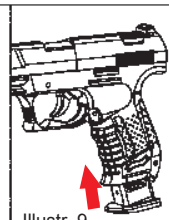
Illustr. 6



Illustr. 7



Illustr. 8



Illustr. 9

B. Remove the CO₂ cartridge

Engage the safety of the weapon (hammer decocked, see chapter 4). Hold the weapon with one hand on the top side of the grip. Use the other hand to move the magazine shoe into the direction "OPEN". Now press the magazine catch (illustr. 5) to remove the magazine and turn the gas cylinder retaining screw (illustr. 6) all the way down. Residual CO₂-gas is now allowed to flow out. The gas cylinder can now be removed.



WARNING: Keep face and hands in a safe distance and use caution when removing the CO₂ cartridge, escaping CO₂ gas can cause frostbite.



WARNING! CO₂-cartridges can explode in temperatures above 122 degrees Fahrenheit. Do not dispose of cartridges in a fire. Do not store cartridges in temperature above 122 degrees Fahrenheit. Do not use spent CO₂ cartridges for any other purpose. Do not leave CO₂ cartridges in a automobile in direct sunlight.

6. Loading and unloading the pistol



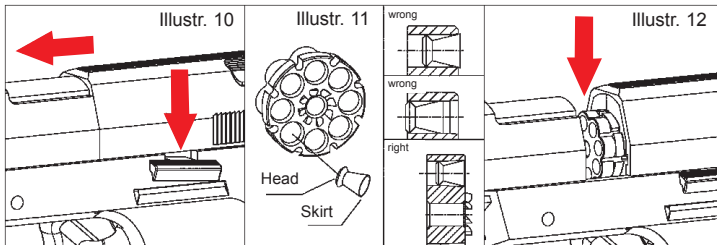
WARNING: Use only .177 caliber (4.5mm) Diabolo pellets with a maximum length of 6.5mm. Do not use BBs or other unsuitable pellets.

A. Loading the pistol

- Engage the safety of the pistol (hammer decocked, see chapter 4)
- Open the slide by slightly pressing the unlocking lever down, then let it turn back (illustr. 10). Keep the gun in a horizontal position in order to prevent the cylinder magazine from falling out.
- A safety prevents the trigger from being pulled when the weapon is open.
- Remove the pellet cylinder and load the Diabolo pellets head first (see illustration 11) insuring that each is completely inserted.
- In order to prevent malfunctions it is to be made sure that the pellets are seated flush in the chambers of the rotary magazine, or, even better, that they are seated somewhat countersunk in the chambers.
- Insert the magazine (illustr. 12) and close the breech by gripping the front part and push it back until it locks (illustr. 13). The slide release lever must be in a horizontal position.

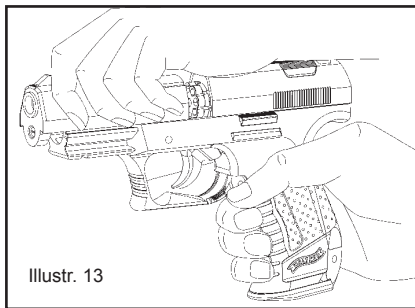


WARNING: Do not put your hand over the muzzle! Do not put your finger on the trigger! Make sure that muzzle is pointed in a safe direction! Never aim at people or pets.



B.Unloading the pistol

- Put the safety on, (Hammer decocked, see Chap. 2).
- Open the slide by pushing the release lever downward (see illustration 10).
- Remove the pellet cylinder and carefully push the pellets out of the cylinder with the cleaning rod.



WARNING: Never use a metal object to remove the pellets.
Damage to cylinder or barrel impairs the function.

- Make sure that there is no pellet in the barrel.
- If there is a pellet in the barrel, push it out with the cleaning rod.
- Never shoot with a used pellet. It could damage cylinder and barrel.

7. Safe aiming and shooting



WARNING: Always point the muzzle of the gun in a safe direction. Never aim at people or pets.
Always handle your pistol as if it is loaded and ready to fire.

Make sure the safety is ON, insert the CO₂ cartridge, and load the pistol as described.



WARNING: Be very careful where you aim this high efficiency pistol. Aim only at objects that cannot be penetrated. Never shoot at hard surfaces or water. A Diabolo pellet may ricochet and travel in another direction.

When you are certain that the target, backstop and surrounding area are safe, go through the proper steps to ready the weapon for firing. Only then should you shoot. Squeeze the trigger with steady pressure until the pistol fires.

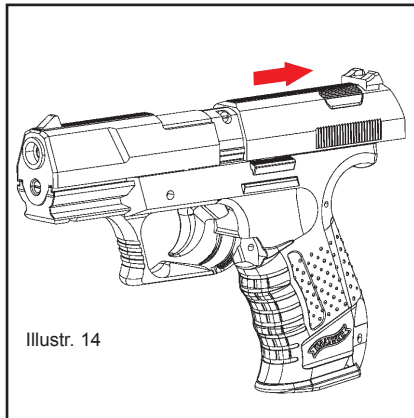
Double Action/Single Action

The pistol will function in either double-action or single-action mode.

To fire in double action, apply steady pressure to the trigger until the pistol fires.

To fire the gun in “Single Action” means that the internal striker has to be manually cocked prior to firing. Grip the rear part of the slide and pull it back, then release it and allow to move back forward. Then pull the trigger.

For rapid-fire shooting we recommend the double-action mode, for more precise aimed shooting we recommend the single-action mode.





WARNING: Do not assume that the pistol is unloaded if it fails to fire properly!

WARNING: Insufficient CO₂ pressure could cause a pellet to lodge in the barrel. See chapter 7, "Use and handling of CO₂ cartridges" for further instructions.

If a pellet fails to be shot after execution of the operation steps mentioned before this could be due to a feed jam.



A feed jam is dangerous.

- Put the safety on (Hammer decocks, see Chap. 2).
- Open the slide and remove the pellet cylinder.
- Check that each pellet is properly inserted in the cylinder.
- Check the barrel with the cleaning rod to insure that no pellet is lodged in the barrel.
- Close the breech by gripping the front part of the slide and push it back until it locks (illustr. 13).
- Aim in a safe direction, turn the safety OFF and shoot the pistol to test the CO₂ pressure.
- If no CO₂ pressure is evident, change the CO₂ cartridge.



WARNING: Keep hands and face at safe distance from the CO₂ cartridge. Escaping CO₂ gas can lead to frostbite!

8. Use and handling fo CO₂ cartridges

Certain conditions such as improper storage or very rapid firing can negatively effect the efficient performance or your CO₂ pistol.

1. Do not store your pistol in an area of unusually high or low temperature. High temperature can cause increased pressure in the CO₂ cartridge leading to a malfuction or permanent damage to the pistol. Low temperatures can reduce pressure in a CO₂ cartridge leading to weak shots. Do not leave your gun unattended in bright sunlight. The CO₂ cartridge can get too hot and explode, damaging the gun and injuring or killing anyone nearby.

2. Rapid-fire shooting will quickly chill a CO₂ cartridge leading to reduced pressure and pellet velocity.

3. Rapid fire shooting leads to reduced shooting efficiency.

4. As the cartridge loses pressure you will notice several characteristics:

A) The sound of the actual shot will not be as loud.

B) Pellet impact will be lower on the target.



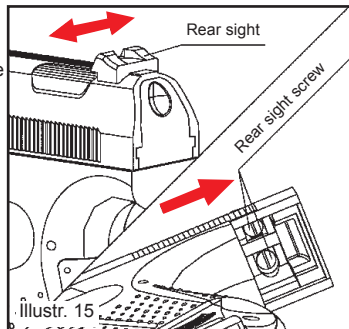
WARNING: Continued shooting when the cartridge has lost pressure could cause a pellet to lodge in the barre!!
See the warning on feed jam.

9. Adjusting the rear sight

Aim at a safe target and line-up the front sight in the middle of the rear sight (see illustration 16).

Fire several test shots to determine if your sight need to be adjusted. A fully adjustable rear sight is available as an accessory. (illustr. 15).

The weapon is zeroed at a distance of 10 m.



Standard rear sight adjustment

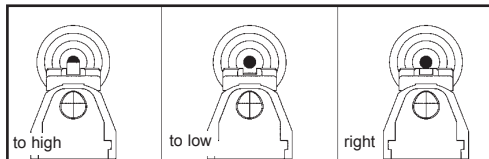
Windage adjustment of the sights is by moving the rear sight.

To do so, slightly push the slide back and loosen the sight screws at the bottom (illustr. 15).

- If your pistole is shooting to the RIGHT, slide the rear sight to the left.
- If your pistol is shooting to the LEFT, slide the rear sight to the right.

Fire several test shots to confirm your sight correction.
Tighten the screw securing the rear sight.

Illustr. 16



10. Storage



Never leave a loaded gun unattended!

Always store your gun unloaded. Open the slide and remove the pellet cylinder and check to insure that no pellet remains in the barrel. Remove the CO₂ cartridge. Store your pistol in a separate location from the pellets and CO₂ cartridges. Keep out of reach of children and unauthorized persons.

11. Maintenance

With the proper maintenance your pistol will give you years of pleasant shooting.



WARNING: Do not attempt to clean your pistol without first having put the safety on, removing the pellet cylinder and CO₂ cartridge, and checking to insure that no pellet remains in the barrel.

Clean the surface of your pistol with a soft cloth and gun oil.

To insure continued proper function, place 2-3 drops of gun oil on the slide rails and magazine catch after every 250 shots. Perfect long-lasting operation is guaranteed from your gun if it is cleaned at regular intervals with maintenance capsules and cleaning slugs (see chapter on special accessories).

12. Problems

Problems	POSSIBLE REASONS	safety is on	CO ₂ cartridge is empty	barrel is dirty	CO ₂ cartridge is defective	extreme temperatures	irregular pellets	pellets inserted in the pellet cylinder incorrectly	slide is not properly closed after loading	incorrect sight adjustment
Bad shooting efficiency		●	●	●		●	●		●	
Gun does not function	●	●		●		●	●	●		
Low pellet velocity		●	●		●	●	●			

13. Modifications



WARNING: This pistol has been designed and manufactured for optimum function and efficiency. Do not make any modifications as they could lead to malfunction or unsafe conditions.

14. Repair

Do not attempt to repair this pistol if it needs service. Incorrect assembly could lead to dangerous malfunction.



Repairs should only be completed by WALTHER authorized service.

15. Warranty on Walther CO₂-air pistol

Within one year from date of purchase Walther will repair or replace the pistol free of charge if the defect was not caused by you. Return the gun to the authorised dealer where you have bought it.



WARNING: When carrying the gun make sure that the safety is ON, the pistol is unloaded and the CO₂ cartridge is removed.

16. Safe handling of your pistol

It is your responsibility to be familiar with the safe and correct use of your pistol.

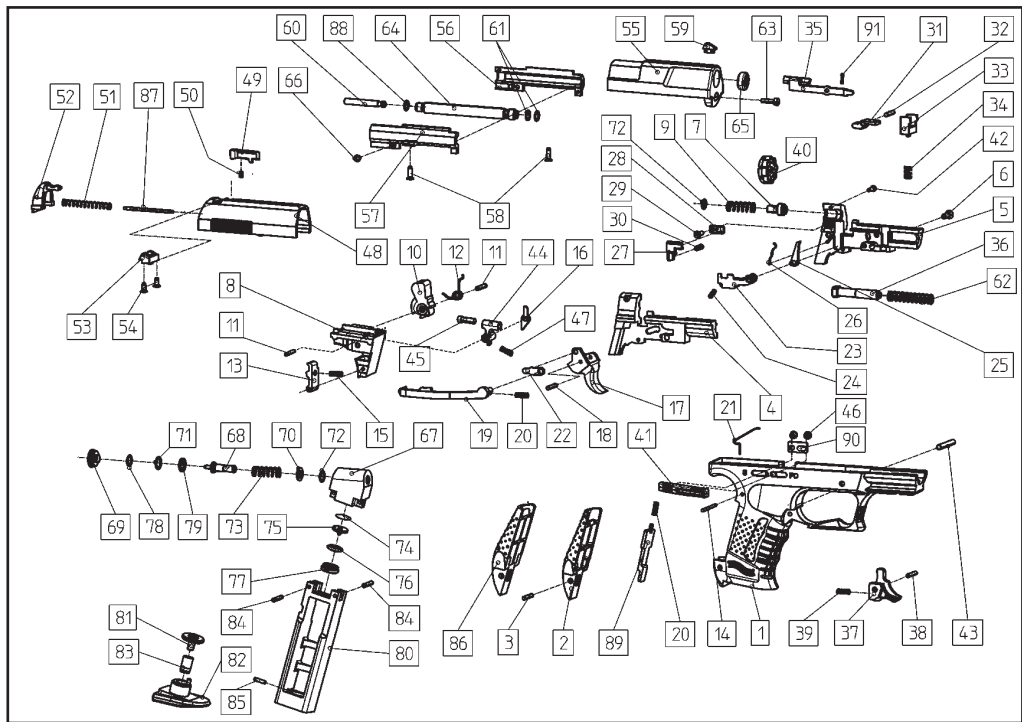
- Always handle your pistol as if it is loaded.
- When loading your pistol, insure that the safety is ON, and do not put your finger near the trigger.
- Use only the recommended pellets and CO₂ cartridges.
- Always point the muzzle in a safe direction.
- Remember that this is a high efficiency pistol capable of propelling a pellet over 400 yards.
- Always check a gun to see if it is loaded when removed from storage or received from another person.
- Never transport your pistol when loaded.
- Do not aim at people or pets. Never shoot at a hard surface or water.
- Be sure that your target and backstop are safe.
- Make sure you can control the direction of the muzzle if you stumble or fall.
- Unload your airgun before giving it to another person.
- Always wear shooting glasses when shooting your pistol.
- Always store your pistol in a secure location out of the reach of children or unskilled users.
- Store your pellets and CO₂ cartridges in a separate location.
- When transferring this pistol be sure to include this instruction manual.
- Repairs to this pistol should only be done by Walther authorized service.
- Never leave a loaded gun unattended.

17. Technical Data

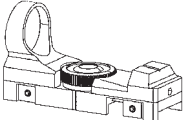
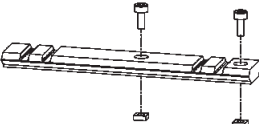
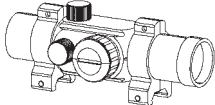
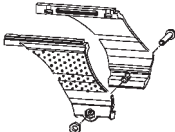
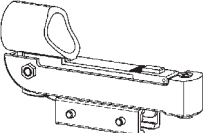
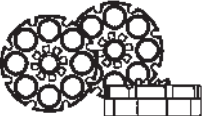
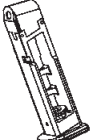
Mechanical system	:	CO ₂ Pistol
Caliber	:	.177 (4.5mm)
Cylinder capacity	:	8 rounds
Total length	:	180 mm (7 inches)
Weight	:	740 g (25.9 oz)
Muzzle velocity	:	up to 110 m/sec. (360 FPS)
Barrel length	:	85mm, (3.3")
Function	:	(12g) CO ₂
Safety	:	Firing pin safety by engagement of in the hammer safety notch. (operation of the decocking lever) - manually operated safety slide - trigger safety when breech is open

18. Parts illustration and list

Pos.	Discription	Code No.	Pos.	Discription	Code No.
1.	Frame	412.20.01.1	46.	Safety rivet	412.20.29.0
2.	Backstrap	412.20.02.1	47.	Hammer spring	412.20.33.1
3.	Pin for backstrap	312.20.05.0	48.	Slide rear part	412.30.01.0
4.	Receiver, right	412.20.03.0	49.	Decocking lever	412.30.02.1
5.	Receiver, left	412.20.04.0	50.	Spring	340.20.34.1
6.	Screw	412.20.35.3	51.	Slide spring	412.30.03.1
7.	Valve bushing	412.20.12.1	52.	Cover plate	412.30.06.1
8.	Receiver housing	412.20.05.0	53.	Rear sight	412.70.01.1
9.	Valve spring	412.20.26.1	54.	Rear sight screw	412.40.07.3
10.	Hammer	412.20.06.0	55.	Slide front part	412.40.01.0
11.	Hammer pin	412.20.24.1	56.	Inner slide, left	412.40.02.0
12.	Hammer spring	412.20.07.1	57.	Inner slide, right	412.40.03.0
13.	Sear	412.20.08.0	58.	Screw	412.40.07.3
14.	Pin	412.20.22.1	59.	Front sight	412.70.02.1
15.	Sear spring	412.20.25.1	60.	Cylinder pin	416.40.09.1
16.	Decocking lever, small	412.20.09.0	61.	O-ring	416.40.07.2
17.	Trigger	412.20.10.1	62.	Slide spring	412.40.05.1
18.	Trigger pivot pin	412.20.22.0	63.	Slide screw	344.20.30.0
19.	Trigger bar	412.20.13.0	64.	Barrel sleeve	412.40.04.1
20.	Trigger bar spring	412.20.30.1	65.	Bushing for breech	412.40.06.1
21.	Trigger bar spring	412.20.14.1	66.	Barrel rivet	365.23.01.3
22.	Transfer link	412.20.15.0	67.	Valve body	412.60.01.0
23.	Cilinder latch	416.20.17.0	68.	Pestle	412.60.02.0
24.	Cilinder latch spring	370.20.13.1	69.	Valve nut	416.60.03.1
25.	Pawl	416.20.19.0	70.	Disk at pestle	416.60.05.1
26.	Pawl spring	417.20.41.1	71.	O-ring	416.60.04.2
27.	Trigger lock	416.20.20.0	72.	O-ring	416.60.06.2
28.	Trigger lock nut	416.20.21.0	73.	Pestle spring	416.60.07.1
29.	Screw	318.70.05.1	74.	Filter	416.60.08.1
30.	Trigger lock spring	448.20.26.1	75.	Piercing disk	416.60.09.1
31.	Locking lever	412.20.16.0	76.	Packing at detonater	416.60.10.1
32.	Pin	346.73.03.3	77.	Nut at detonater	412.60.09.1
33.	Locking lever catch	412.20.34.0	78.	O-ring	416.60.12.2
34.	Spring	417.20.36.1	79.	Spring clip	416.60.13.1
35.	Release lever	412.20.17.0	80.	Magazine body	412.60.03.1
36.	Guide rod	412.20.19.0	81.	Cartridge screw	419.20.21.1
37.	Magazine catch	412.20.20.1	82.	Magazine shoe	412.60.04.1
38.	Magazine catch pin	303.20.13.0	83.	Nut	412.60.05.3
39.	Magazine catch spring	303.40.05.1	84.	Pin for magazine	412.60.06.3
40.	Cylinder	416.20.16.1	85.	Pin for magazine	412.60.08.3
41.	Safety	412.20.38	86.	Backstrap, large	412.20.31.1
42.	Screw for receiver right and left	412.20.21.3	87.	Guide rod for spring	412.30.05.1
43.	Pin for frame	412.20.23.3	88.	O-ring	412.40.08.2
44.	Hammer	412.20.27.1	89.	Magazine release slide	412.20.32.1
45.	Firing pin	412.20.28.1	90.	Locking plate	412.20.36.1
			91.	Spring for release lever	412.20.37.1

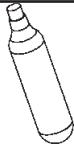


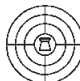
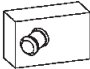
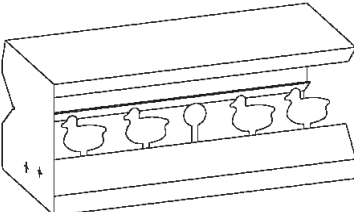
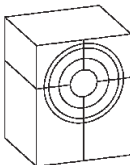


Special accessories Walther Mod. CP99

	 <p>Point Sight "Competition" Brightness adjustable in 11 steps, with adapter rail mount. and 11mm dove tail guide. Length: 100mm Weight: 55g Part. no.: 2.1016</p>
 <p>Adapter rail Only available in connection with the Bridge-Montage For sights: 2.1012 2.1016 Part. no.: 412.112</p>	 <p>Red-Dot-Sight "Top-Point" Brightness adjustable in 11 steps, with mount rings Length: 138mm Weight: 210g Part. no.: 2.1012</p>
 <p>Bridge-Montage with 11mm dove tail guide For sight: 5.8051 2.1016 Part. no.: 412.113</p>	 <p>Red dot optical sight Brightness adjustable in 2 steps, vertically and horizontally adjustable with adapter rail mount. and 11mm dove tail guide, Length: 112mm Weight: 60g Part. no.: 5.8051</p>
 <p>Cylinder magazine Pack of 3 Art.-Nr.: 416.120</p>	 <p>Magazine Part. no.: 412.102</p>

Subject to change without prior notice

Special accessories Walther Mod. CP99

 <p>CO₂-Capsules Pack of 10; contents 12g; for all CO₂ airguns Part. no.: 4.1682</p> <p>Maintenance capsule de CO₂ Pack of 5; for all CO₂ airguns Part. no.: 4.1683</p>	<div style="display: flex; justify-content: space-around;"> <div style="text-align: center;">  <p>Waisted Match pellets "Diablo" cal. 4.5mm(.177) smooth (5000 Pack) 4.1951</p> </div> <div style="text-align: center;">  <p>Pointed waisted pellets "Diablo" cal. 4.5mm(.177) copper (5000 Pack) 4.1952</p> </div> <div style="text-align: center;">  <p>Finale Match cal. 4.5mm(.177) Air pistol pellets (5000 Pack) 4.1940</p> </div> <div style="text-align: center;">  <p>High Power Pellet cal. 4.5mm(.177) Air pistol pellets (400 Pack) 4.1675</p> </div> </div>
<p>Cleaning slugs Art.-Nr.: 3.2055</p>	
<p>Targets</p> <p>17*17cm, for Pellet trap 3.2071 per 250 pieces Art.-Nr.: 3.2095</p>	<p>Pellet trap</p> <p>for targets 10-17cm Art.-Nr.: 3.2071</p>
 <p>Magnetic Pellet Trap 4 targets are knocked down when a hit is scored. When the center target is hit, all targets return to the upright position. Dimensions: 49*22*30 cm Art.-Nr.: 3.2080</p>	<div style="display: flex; align-items: center;">  <div> <p>Five Pack Set, cal. 4.5mm(.177) Waisted pellets "Diablo", ribbed; Waisted Match pellets "Diablo", smooth; Pointed waisted pellets "Diablo", copper; Pointed waisted pellets "Diablo", ribbed; Hollow Point Semi Wadcutter; smooth (a 500 pieces) Art.-Nr.: 4.1950</p> </div> </div>
	<p>Protective Shooting glaces</p> <p>yellow Part. no.: 2.5013 clear Part. no.: 2.50133</p>
	<p>Cordura Belt Holster "Pancake", black Part. no.: 3.1517</p> <p>Cordura Magazin pouch with Vortex(R) fastener, black Part. no.: 3.1554</p> <p>Cordura Ammunition belt, with slide-on pouches for magazine and diabolos, pellet loops for spare gas cylinder Part. no.: 3.1530</p> <p>Belt Holster "Quick Defense" Made from black leather Part. no.: 3.1553</p> <p>Hard-shell case black Part. no.: 412.109</p>

Subject to change without prior notice

UMAREX®

Service:

Umarex Sportwaffen

Postfach 2720
59717 Arnsberg

Neheim, Donnerfeld 2
59757 Arnsberg

Telefon 02932 / 638-01
Telefax 02932 / 638-222

E-Mail: sales@umarex.de
Internet: www.umarex.com

